

Mountain Top® Cargo Carrier

Installation manual



DOWNLOAD PDF



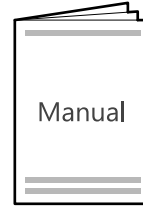
Parts

A



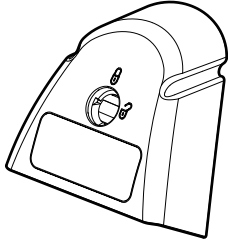
x 1

B



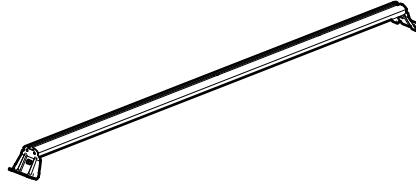
x 1

C



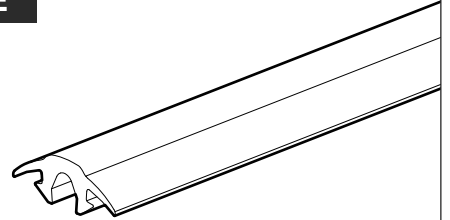
x 4

D



x 2

E

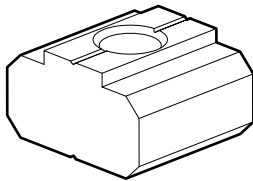


x 1



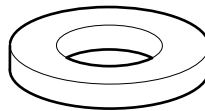
Kit

F



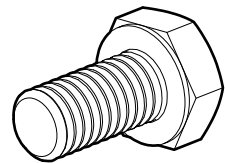
x 8

G



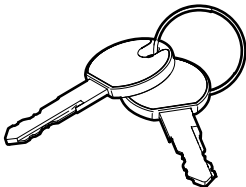
x 8

H



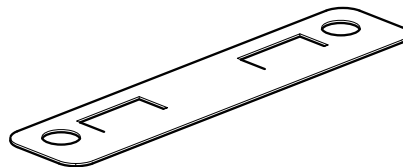
x 8

I



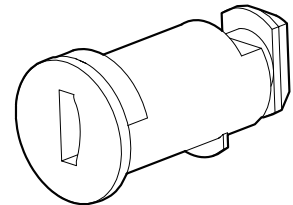
x 2

J



x 4

K

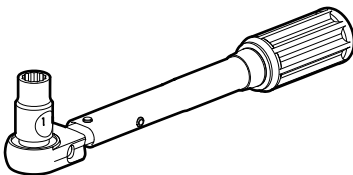


x 4

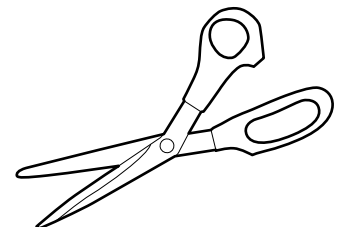


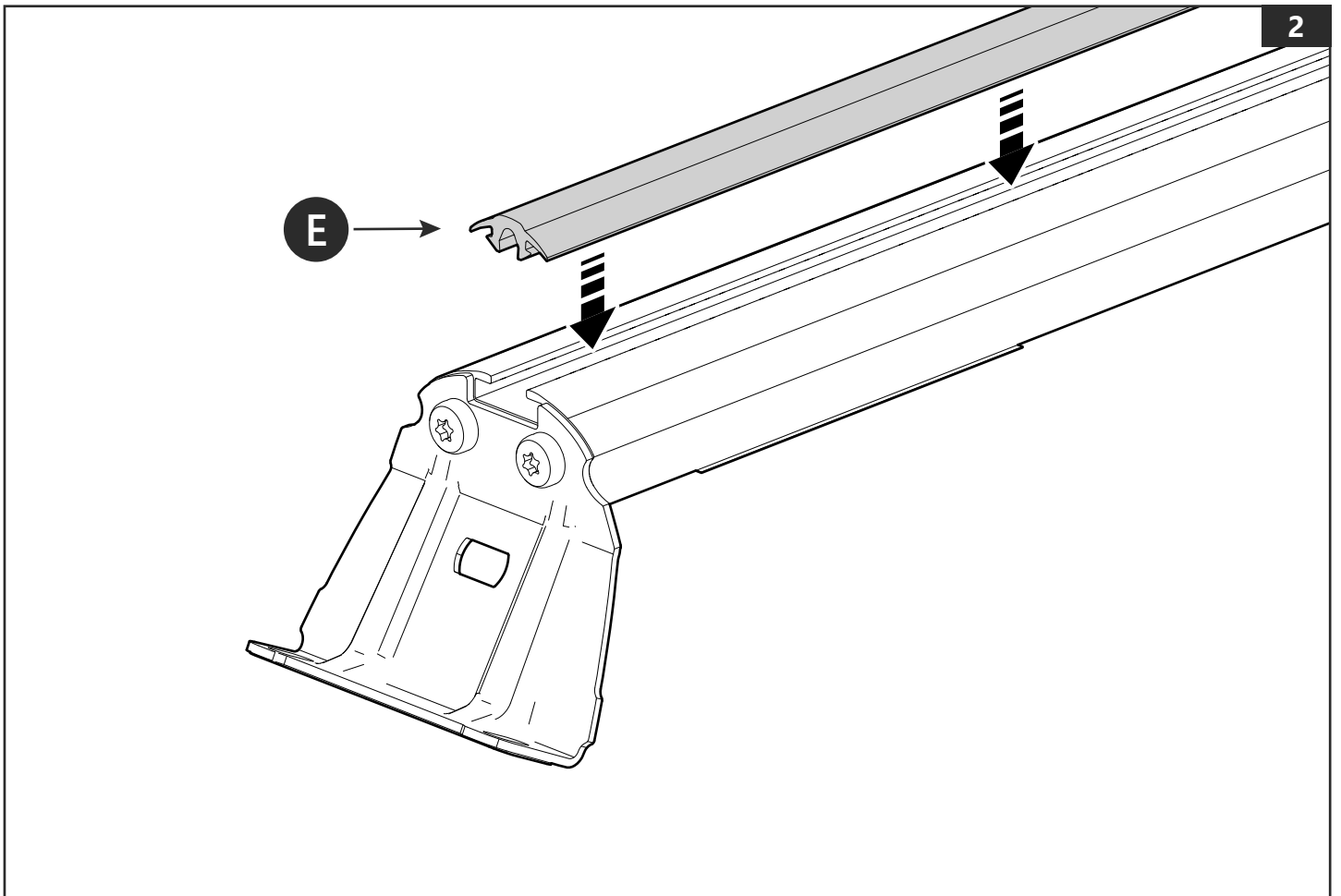
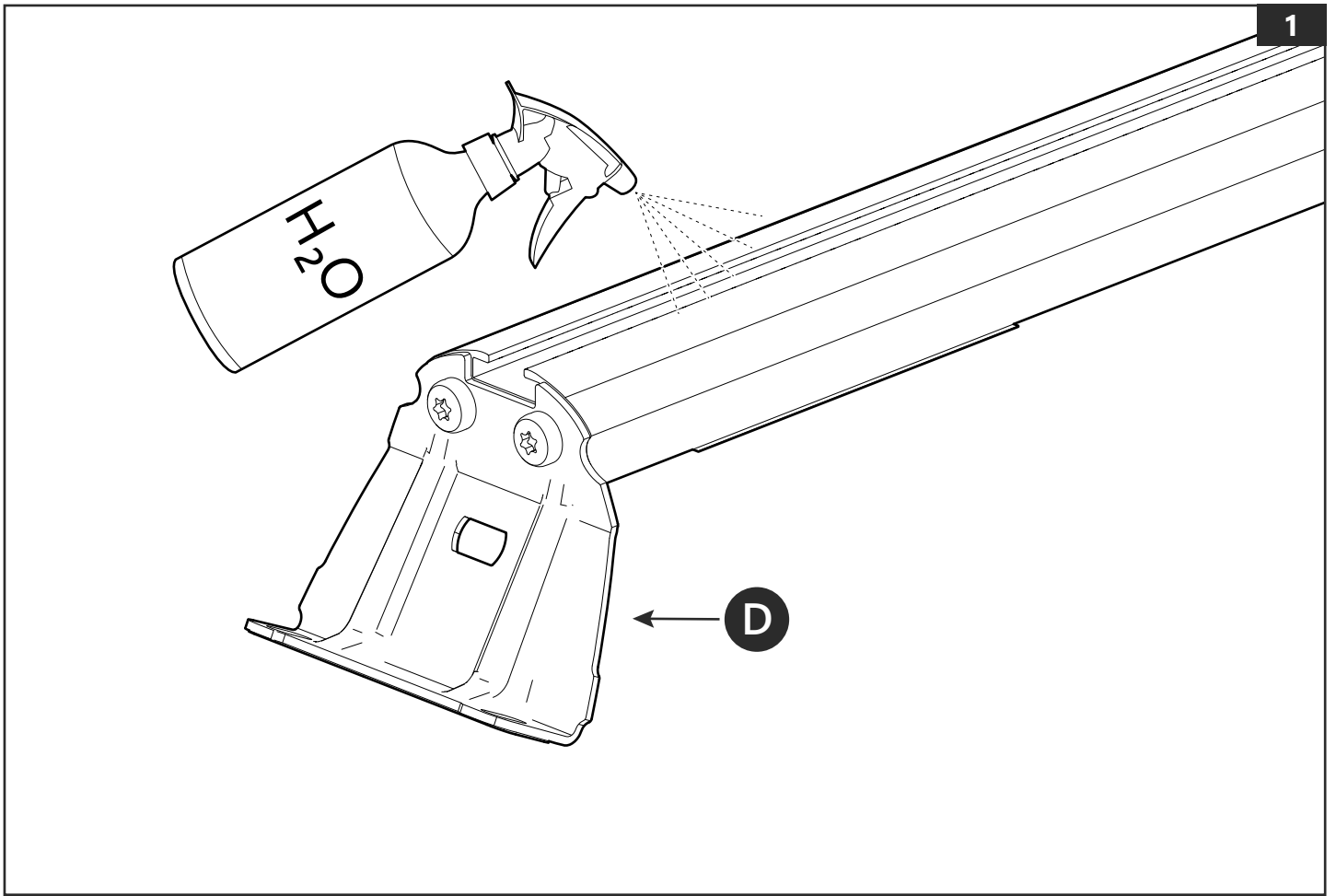
Tools and materials needed

1 - 25 Nm

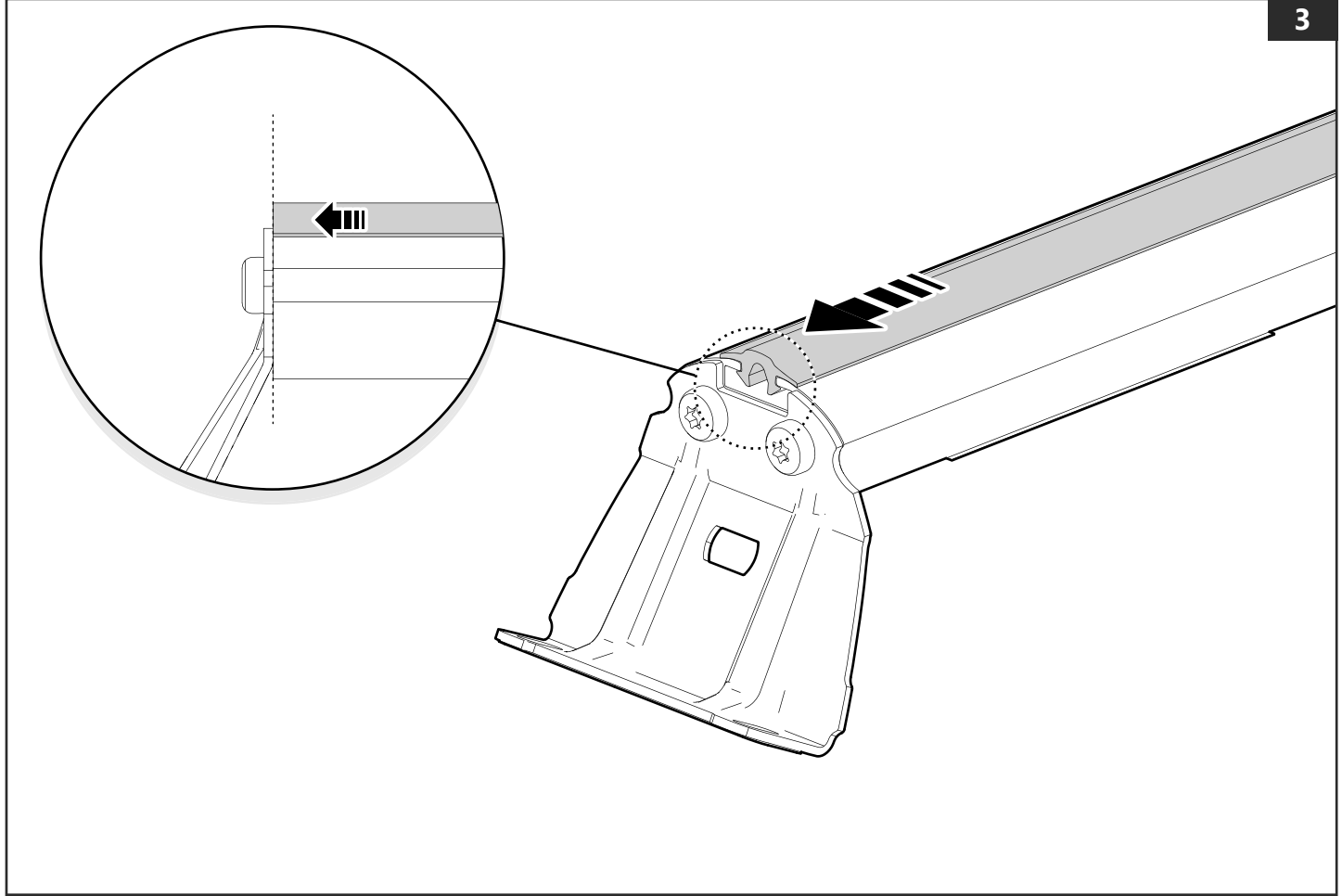


○ 10 mm

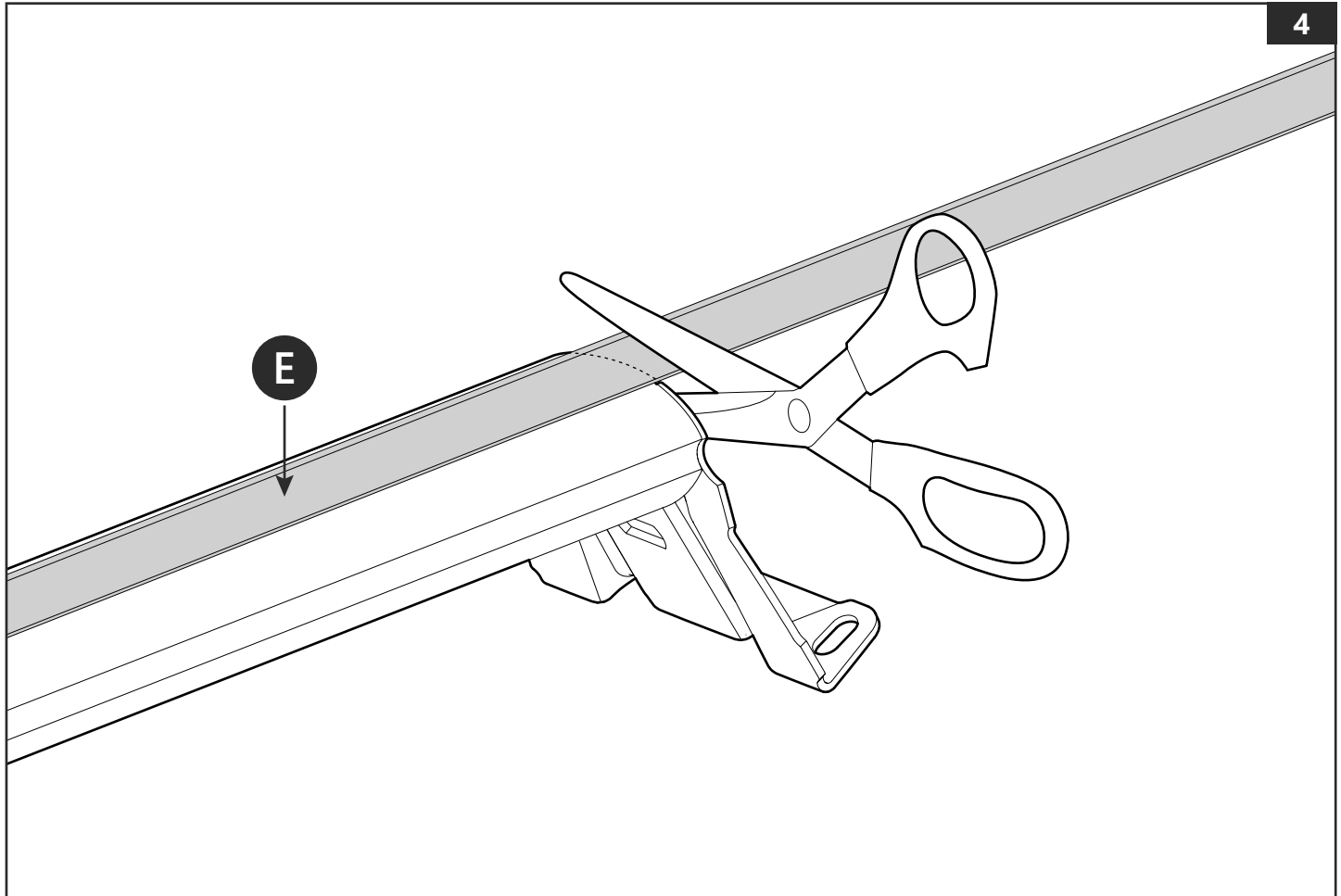


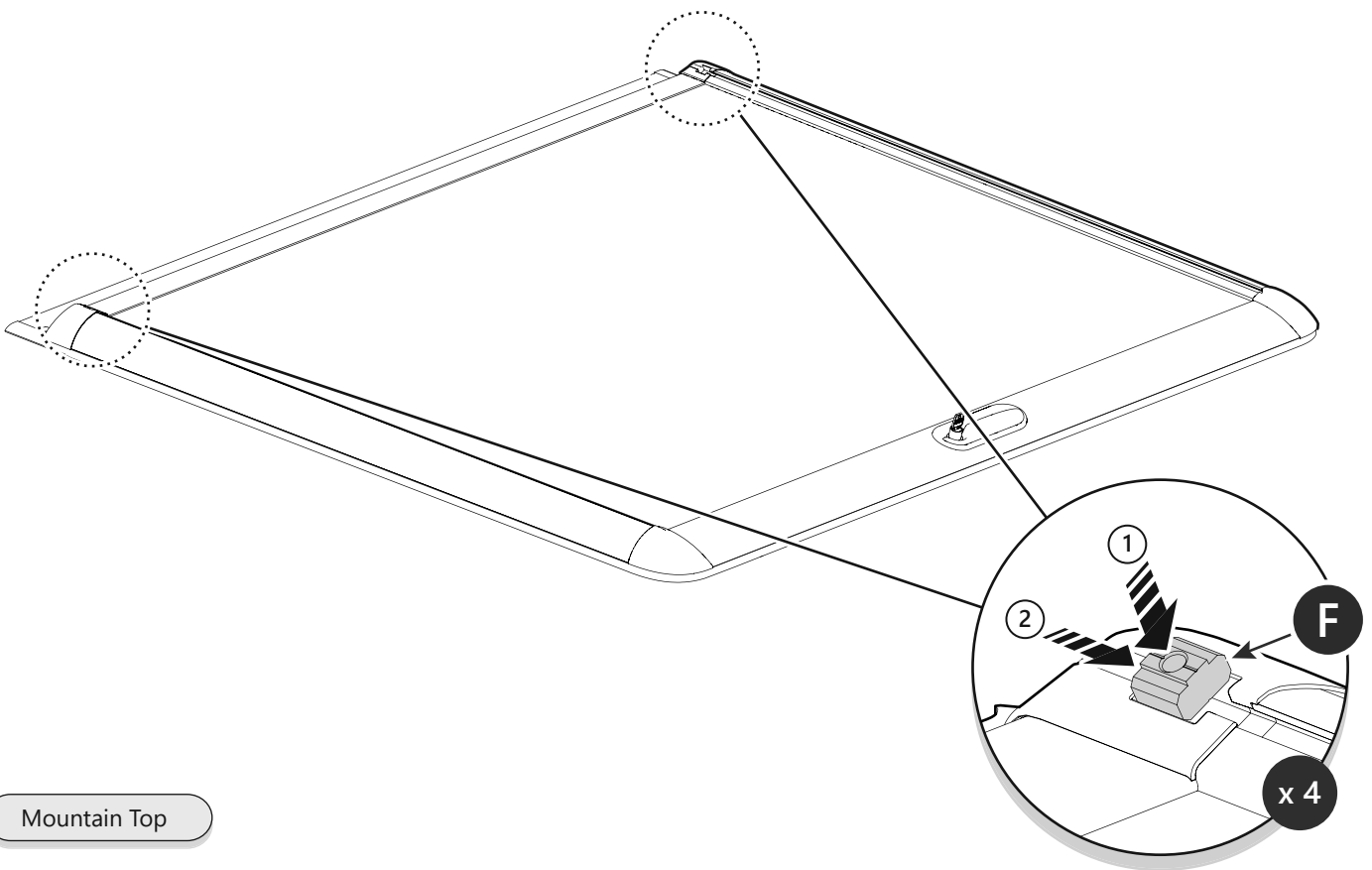


3

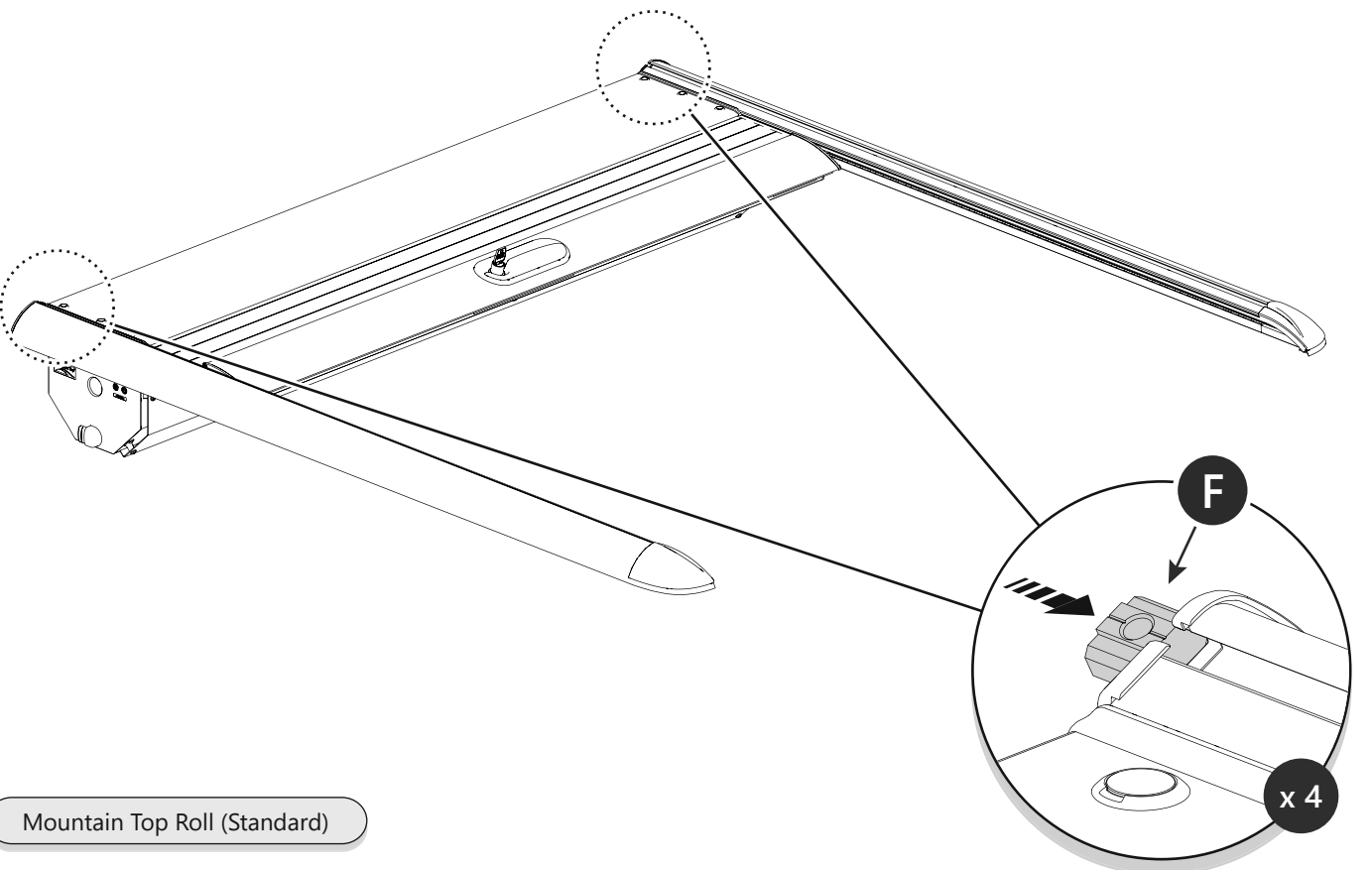


4

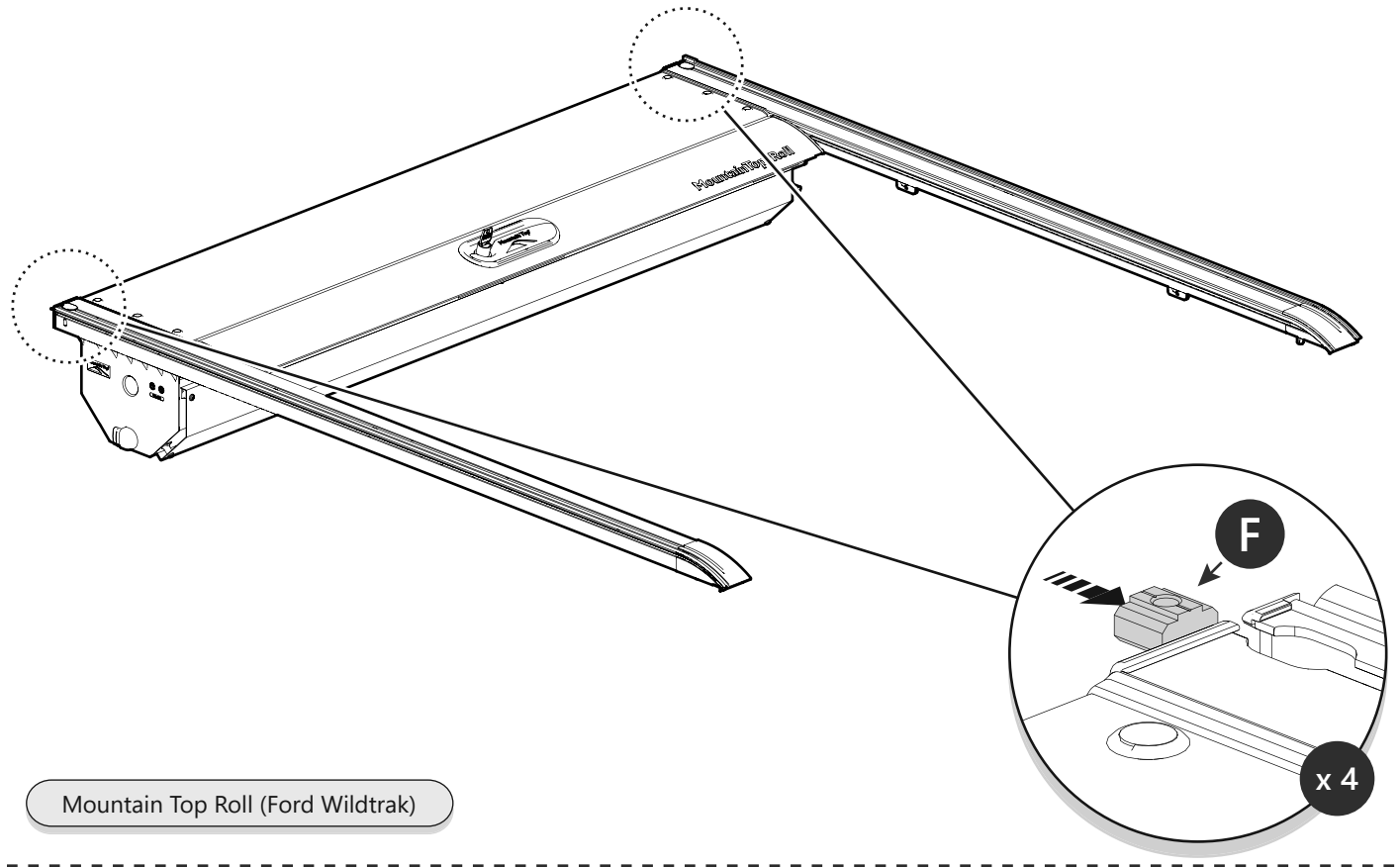




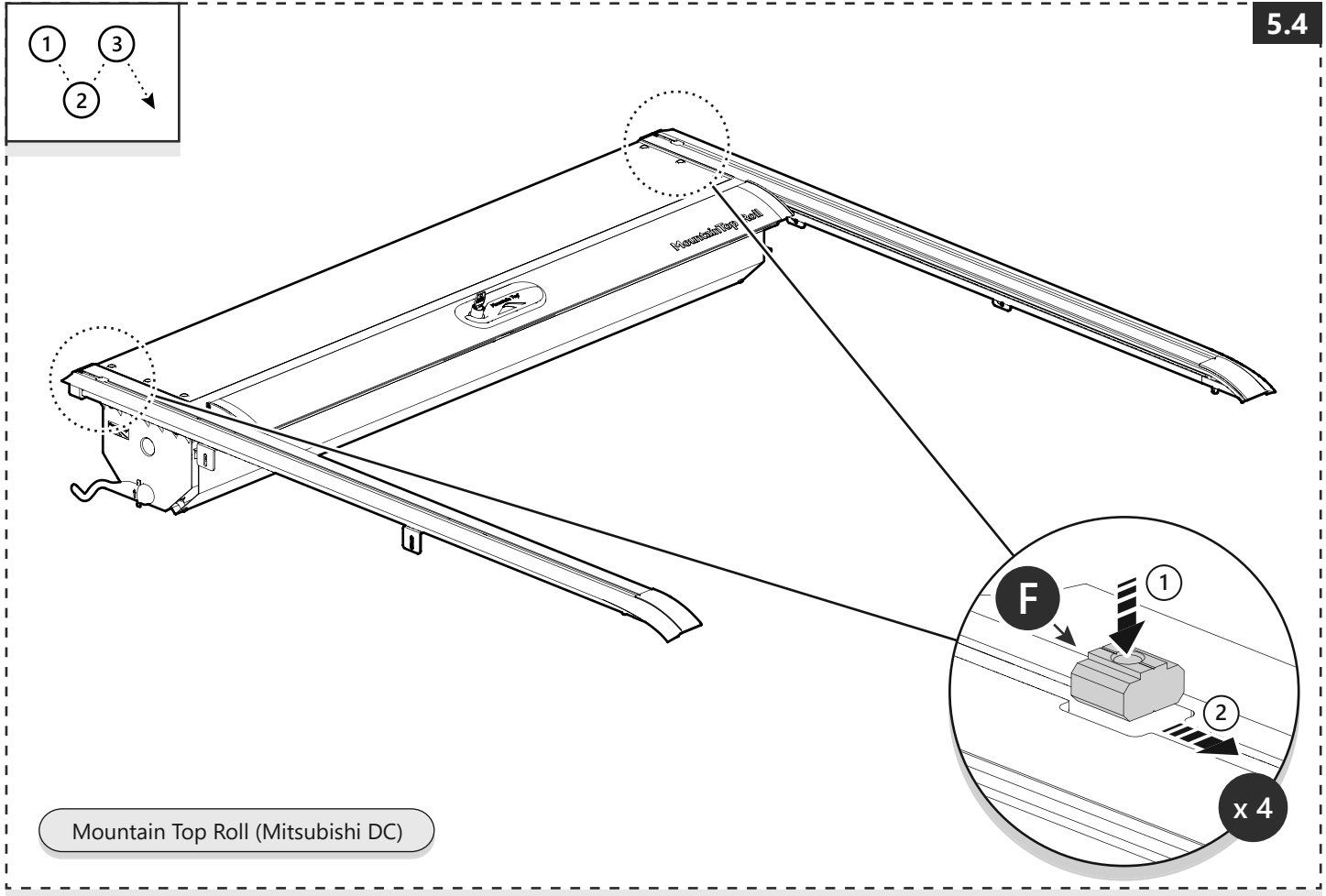
Mountain Top



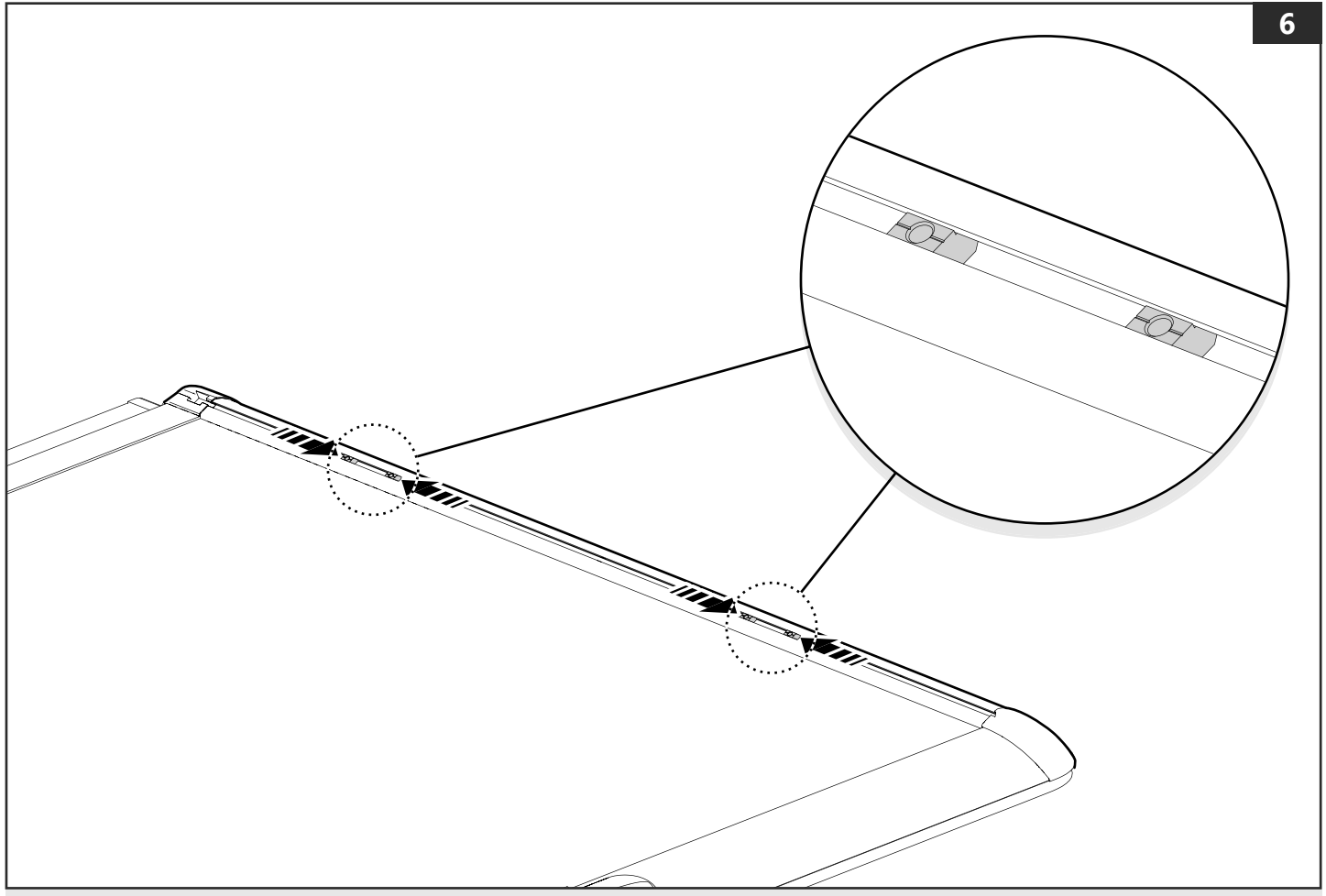
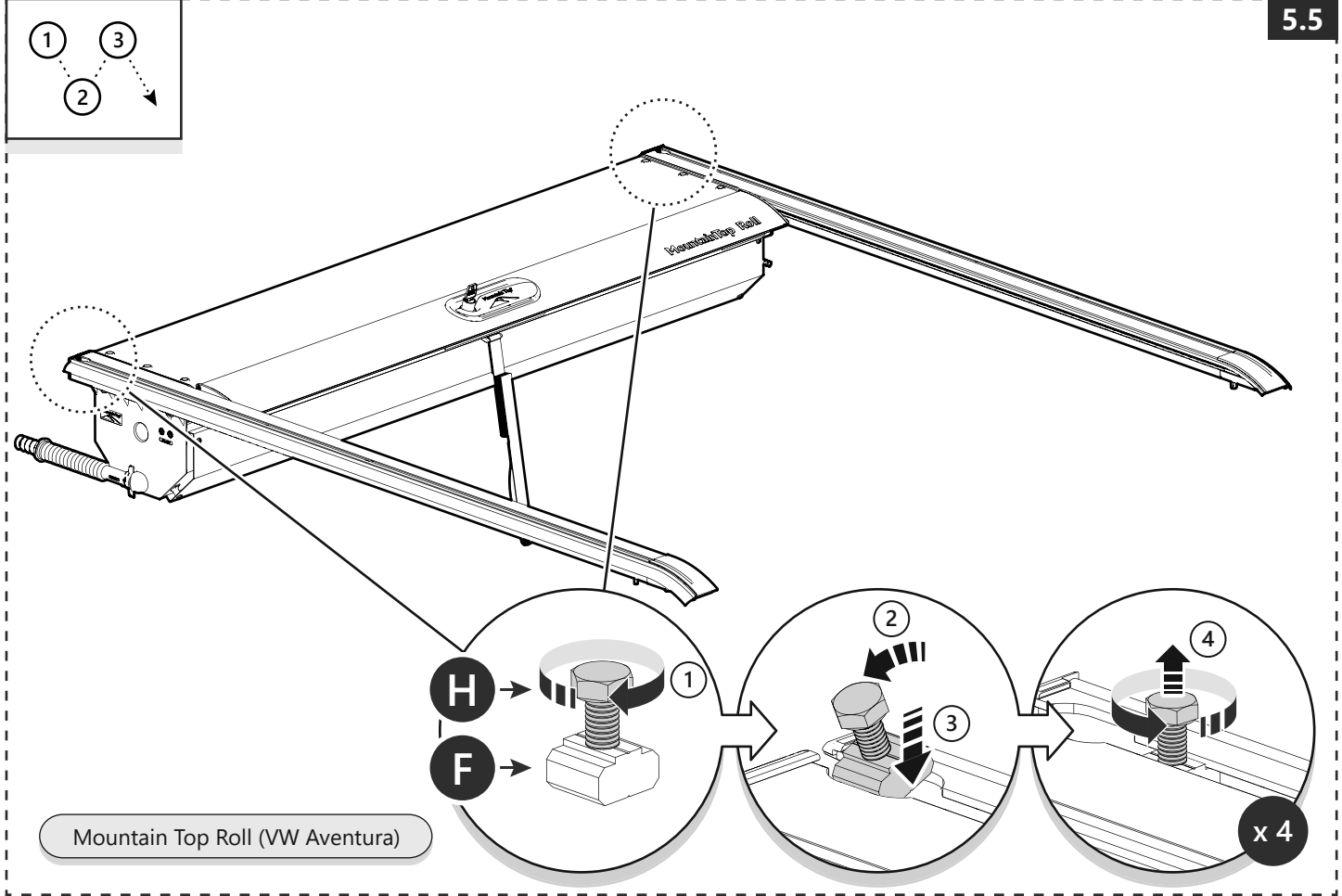
Mountain Top Roll (Standard)

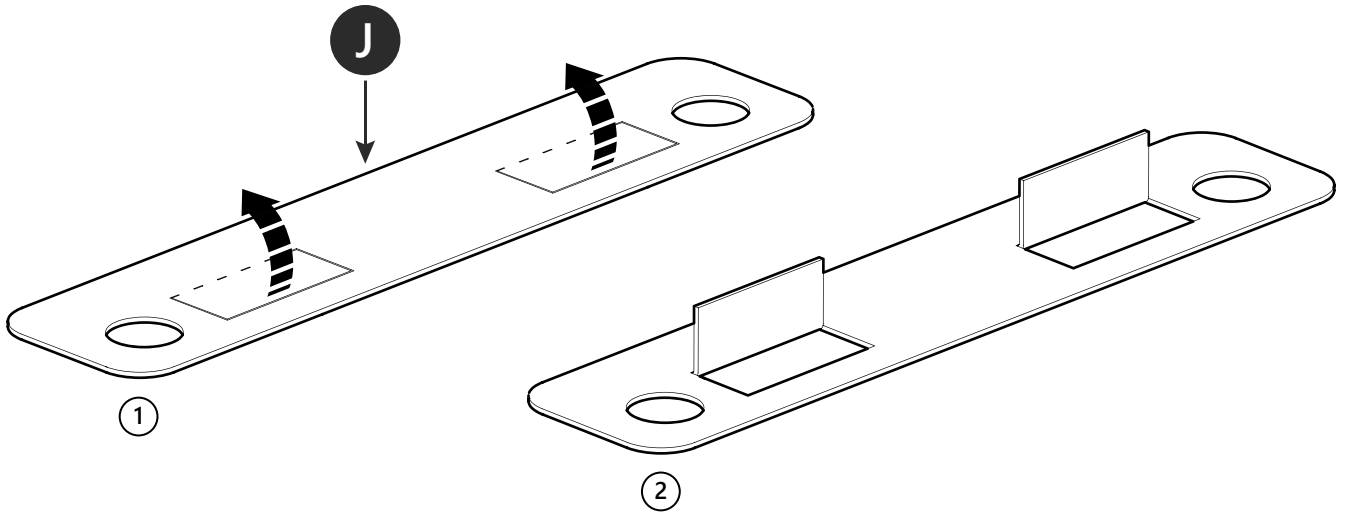
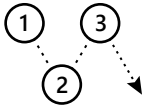


Mountain Top Roll (Ford Wildtrak)

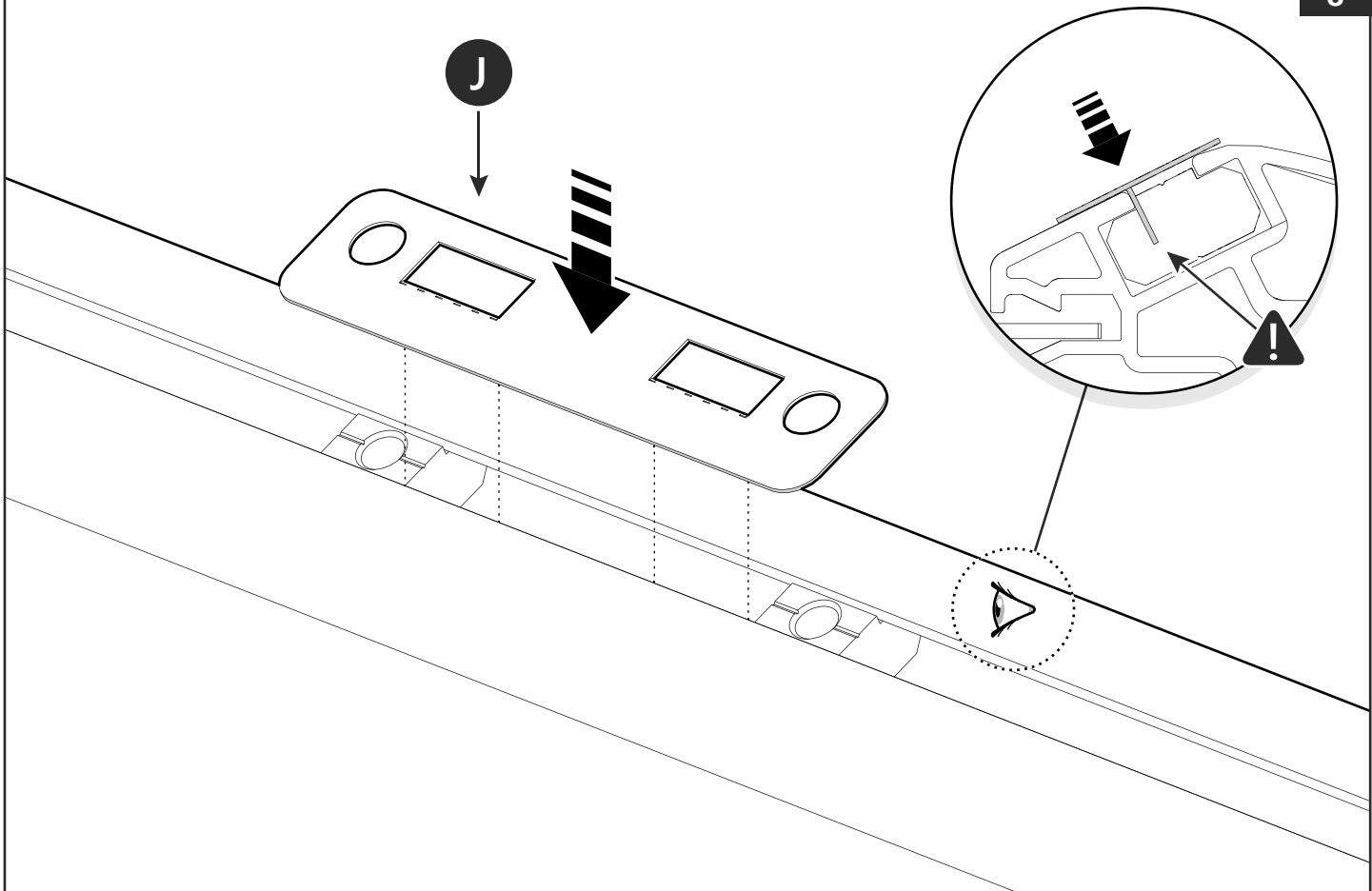


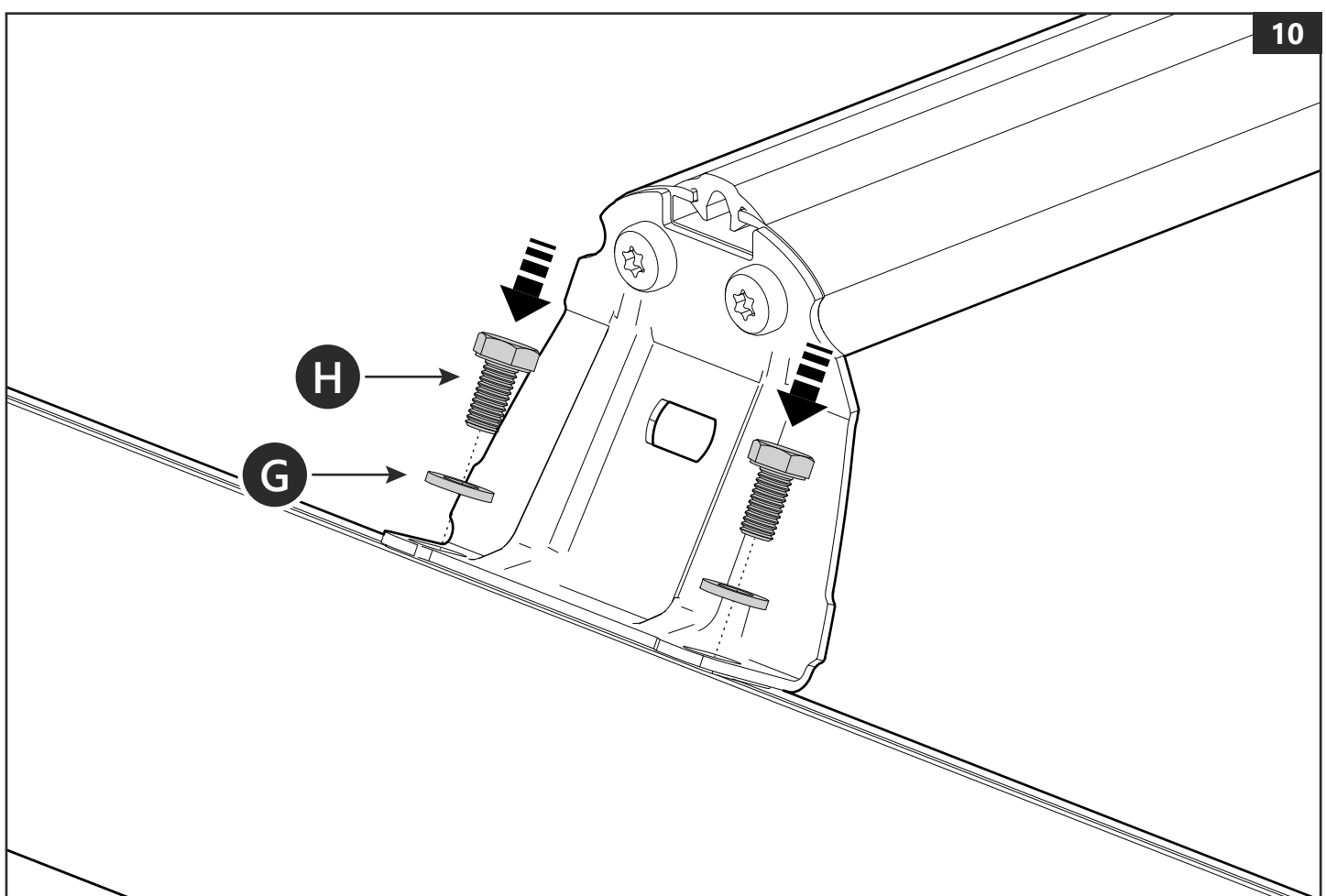
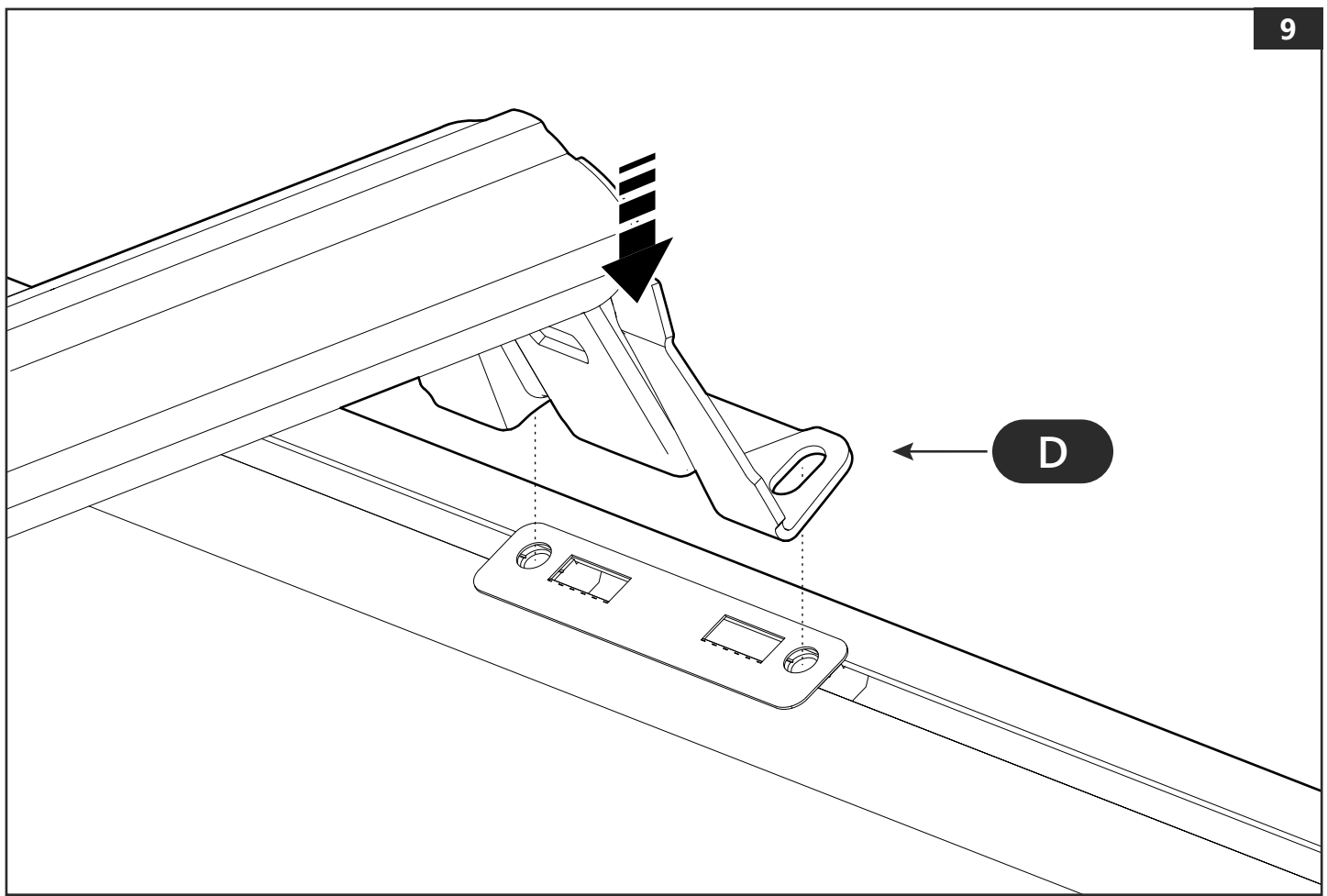
Mountain Top Roll (Mitsubishi DC)

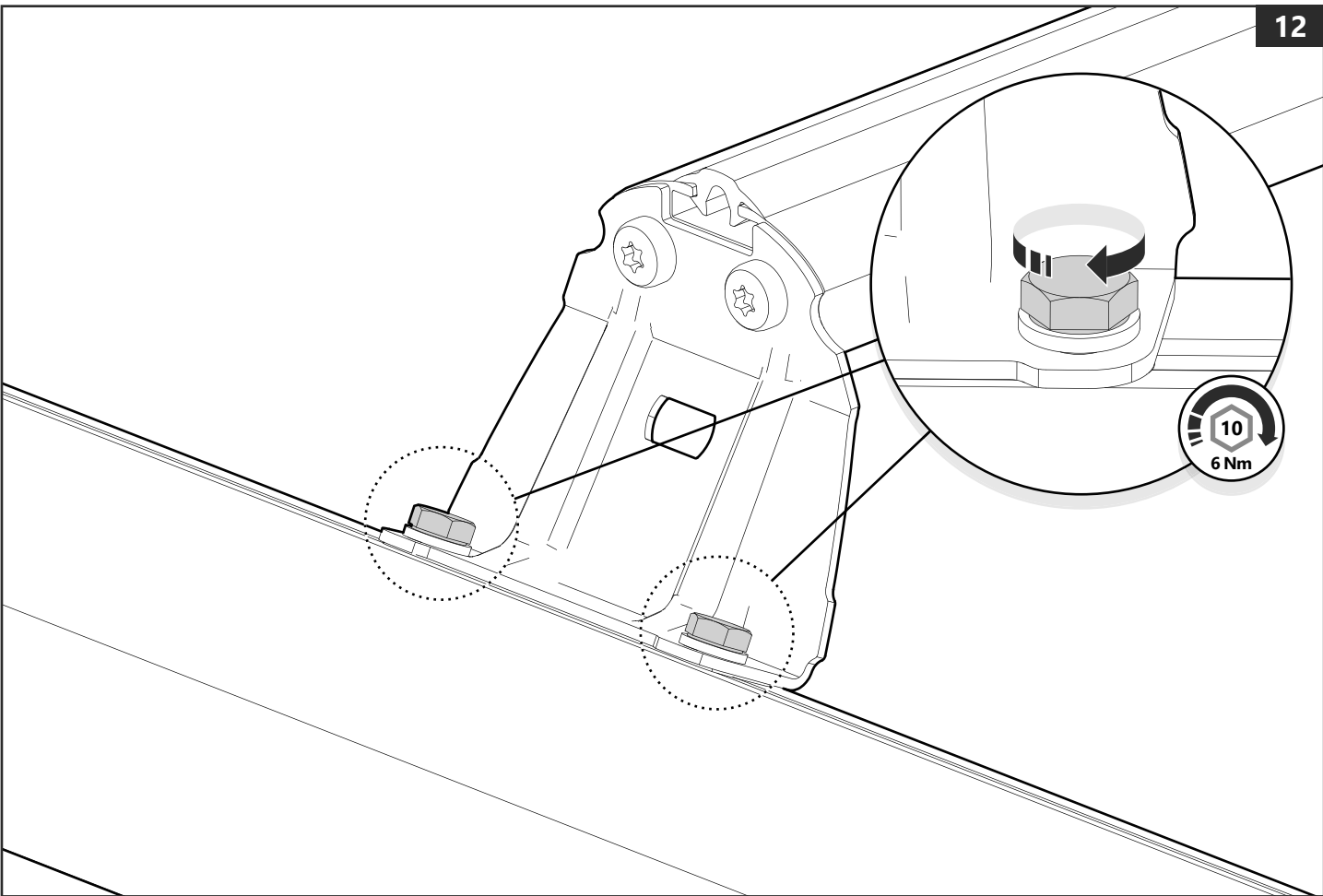
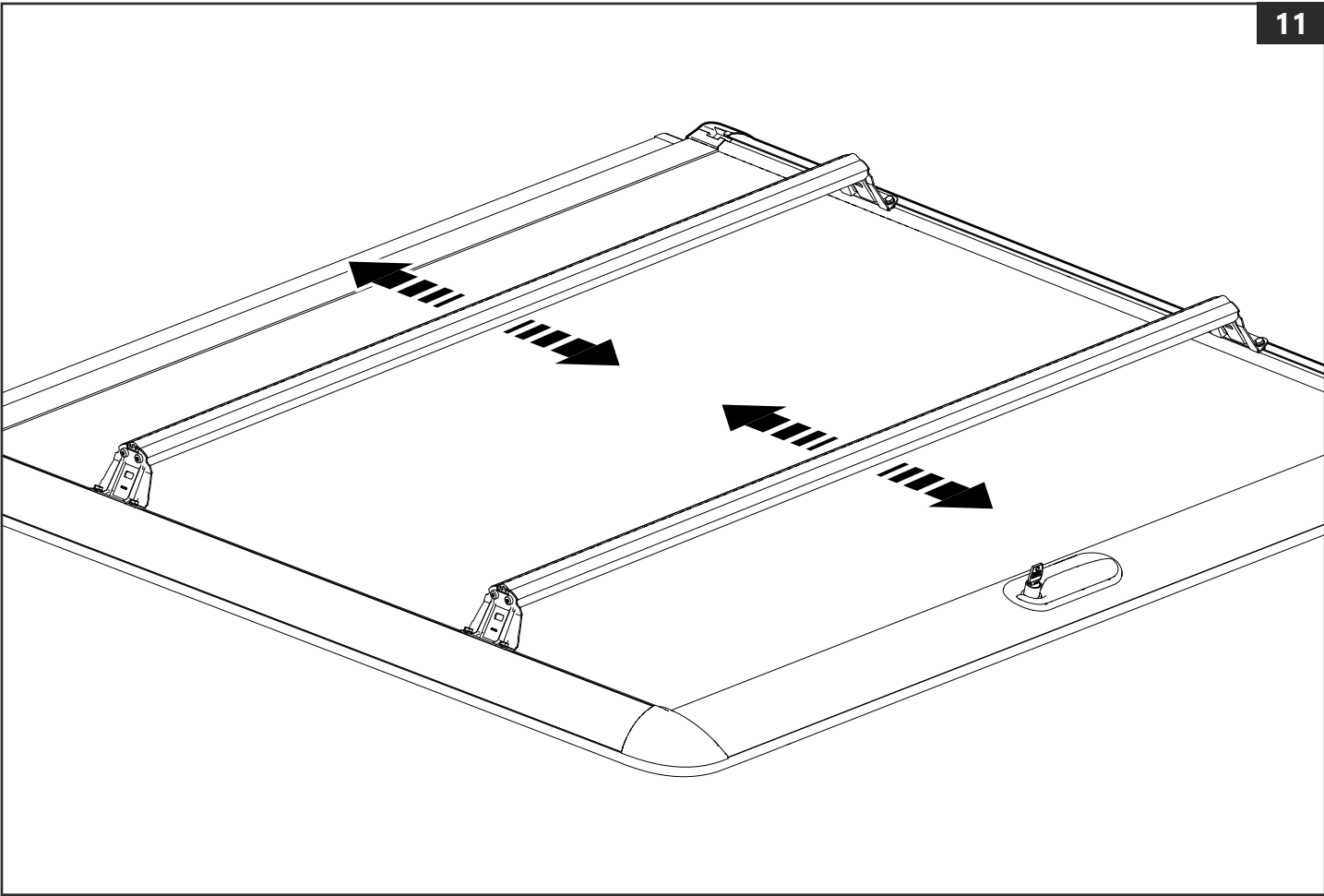


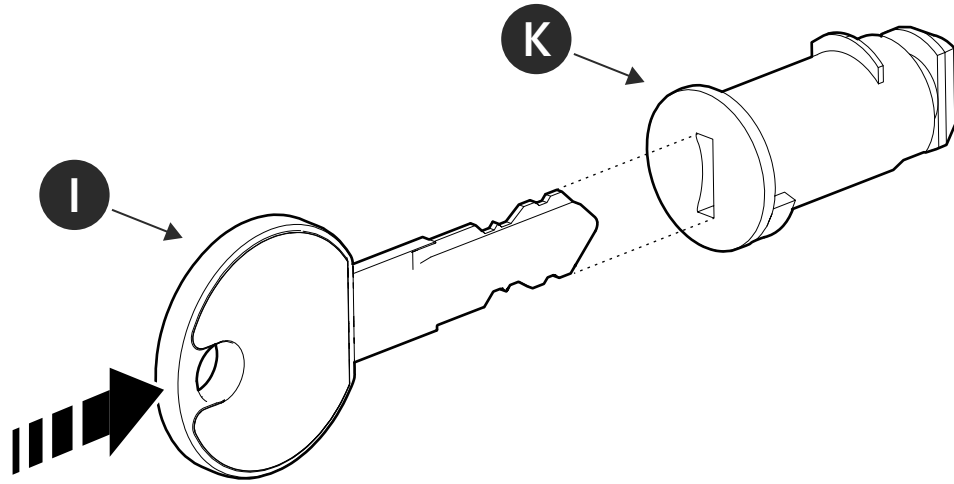


x 4

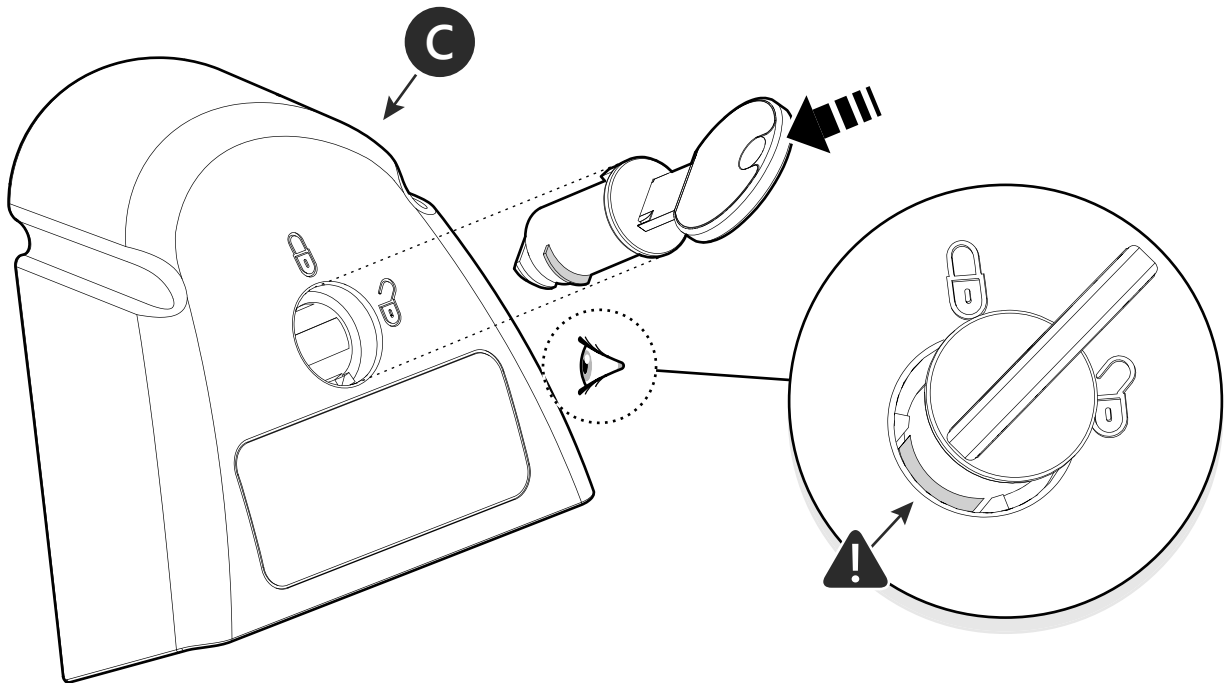




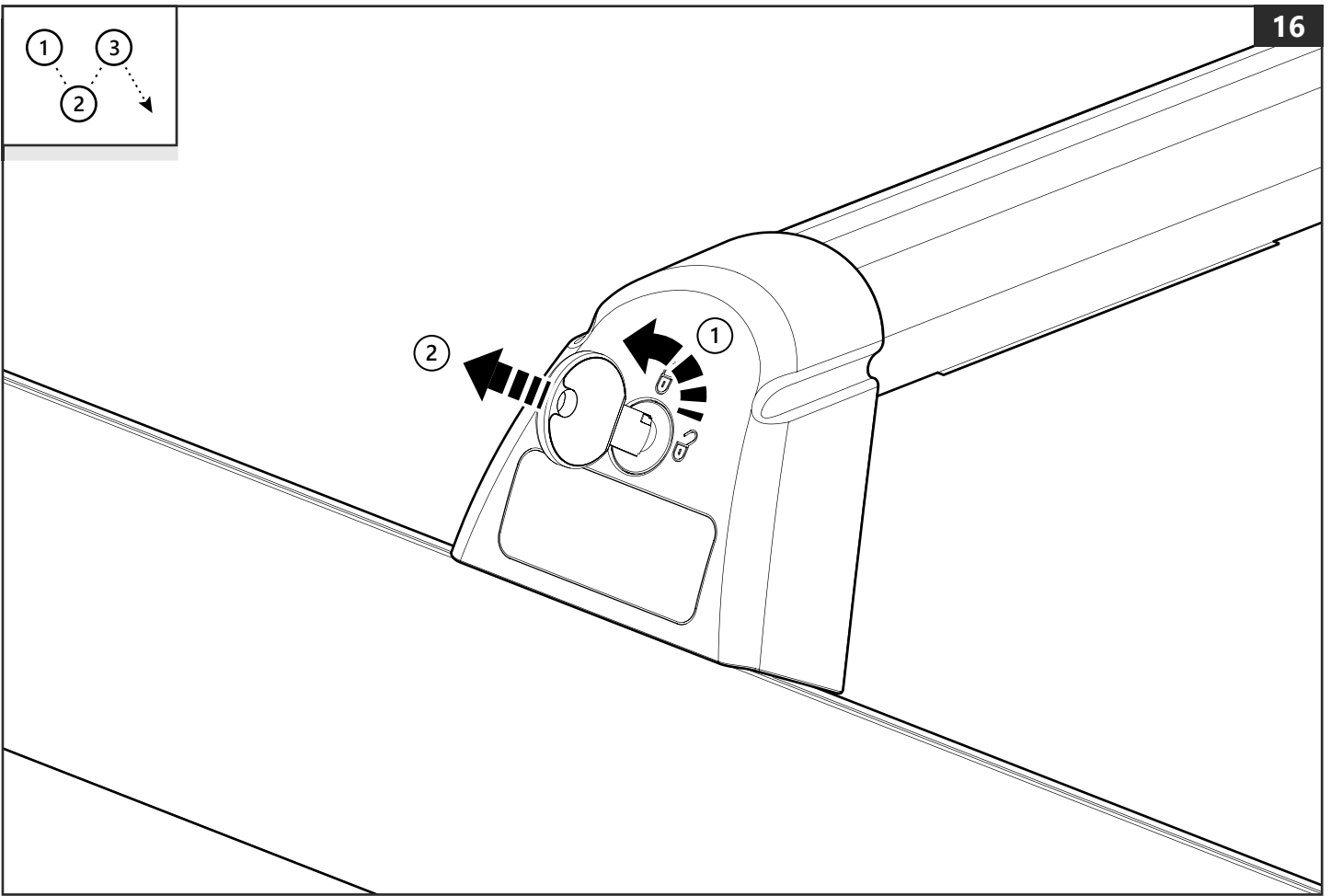
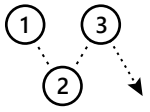
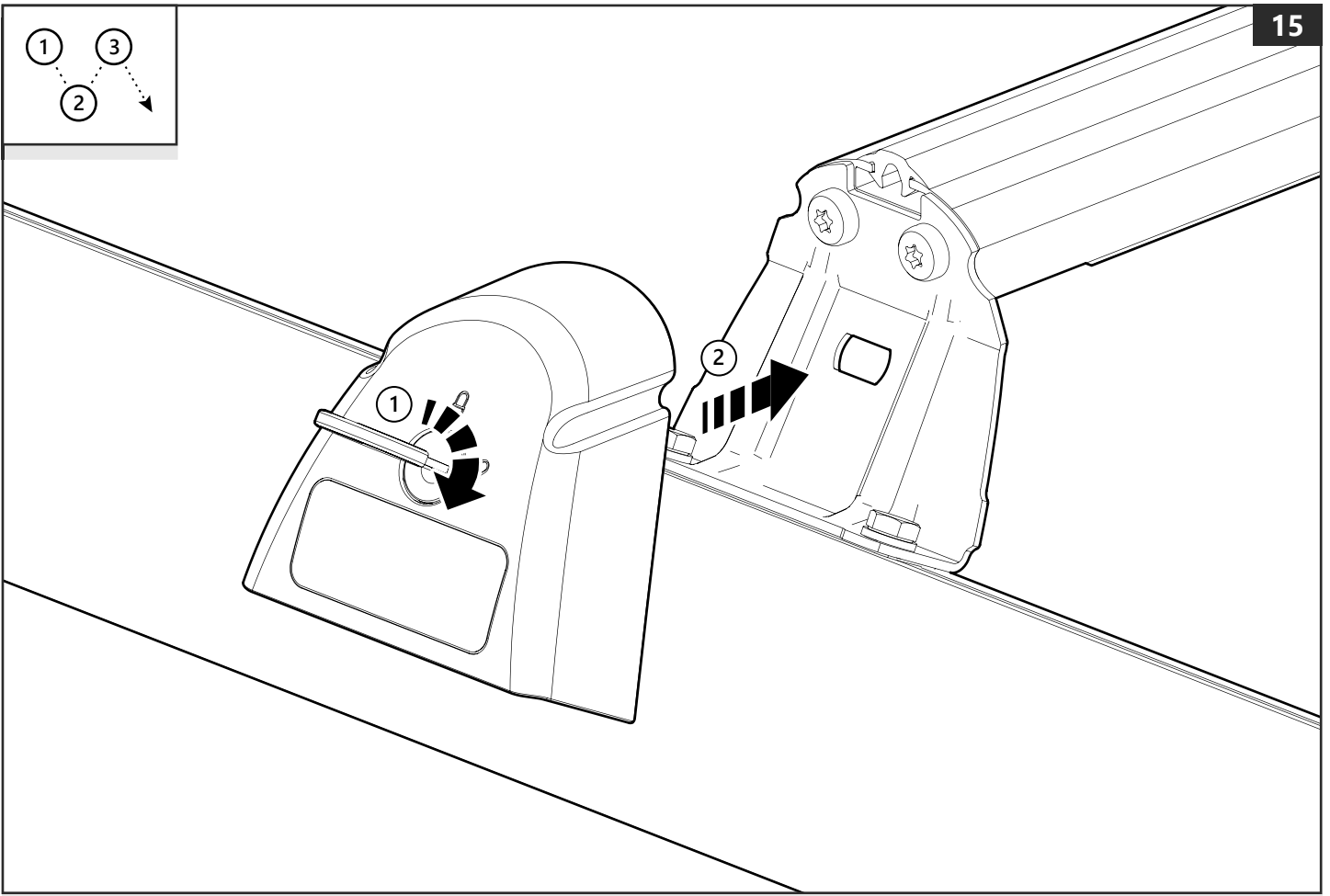
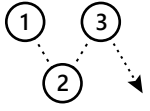


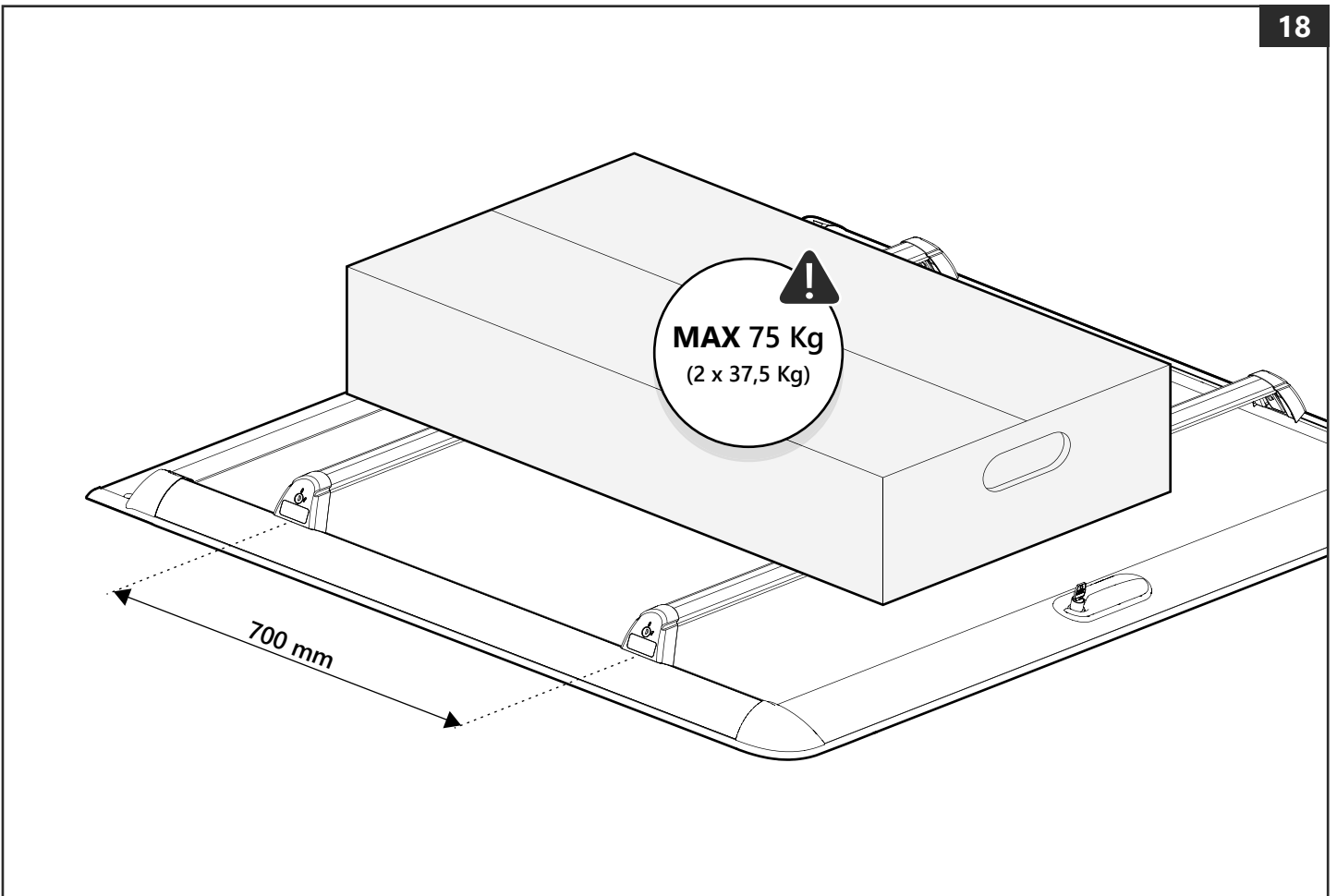
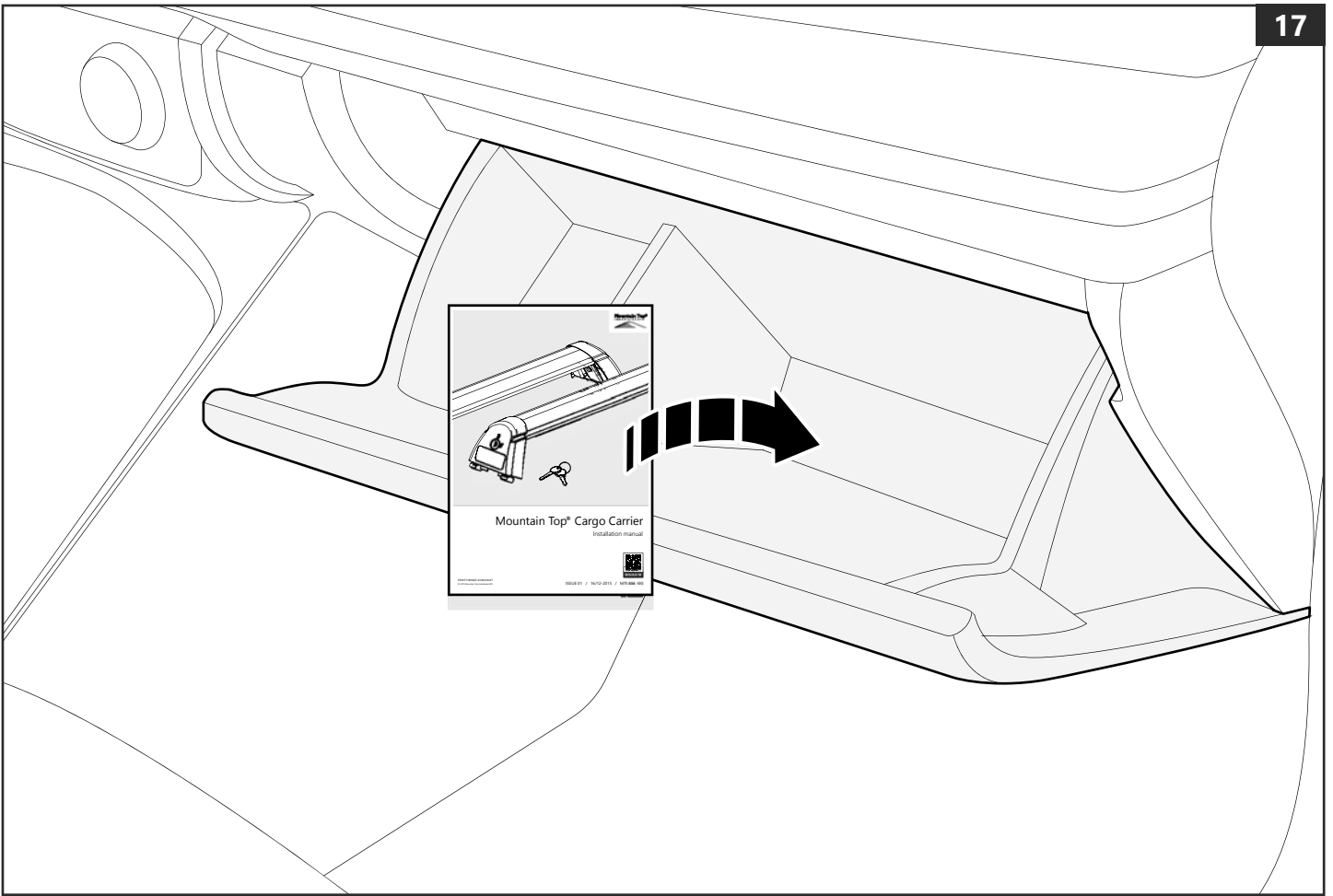


x 4



x 4







Customer Service	+45 4810 2950 (08:00 - 16:00 CET)
Fax	+45 4810 2960
Support	info@mountaintop.dk
Website	www.mountaintop.dk
Address	Pedersholmparken 10, 3600 Frederikssund, Denmark

INSTALLATION TIME	WEIGHT
15 minute(s)	5 Kg

GB Installation manual	S Monteringsanvisning	D Einbauanleitung
SF Asennusohje	E Instrucciones de montaje	CZ Návod k instalaci
F Notice de montage	H Szerelési utasítás	I Istruzioni de montaggio
PL Instrukcja montażu	P Instruções de instalação	GR Οδηγίες Εγκατάστασης
NL Installatie-instructies	RUS Инструкция по установке	DK Monteringsvejledning
TR Montaj Talimatı	N Monteringsveiledning	RO Instructiuni de instalare