

Mountain Top® Roll

Installation manual

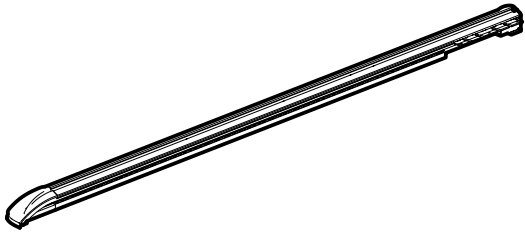


DOWNLOAD PDF



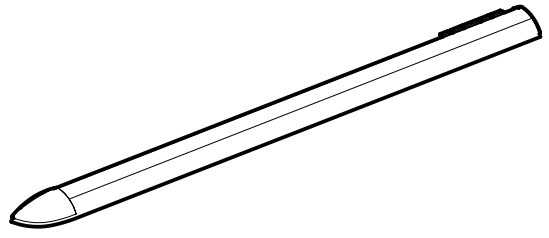
Parts

A



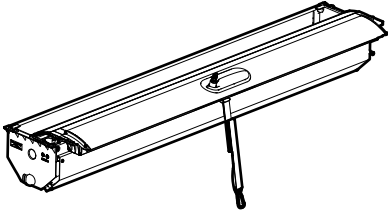
x 1

B



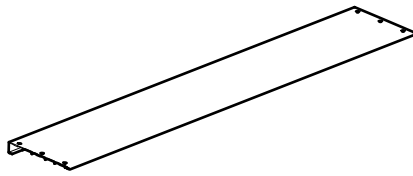
x 1

C



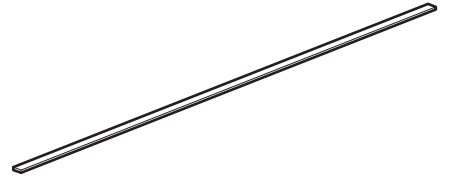
x 1

D



x 1

E

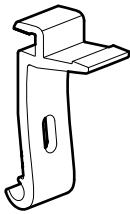


x 1



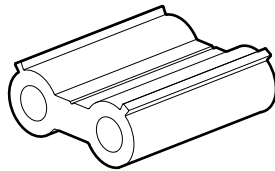
Kit

F



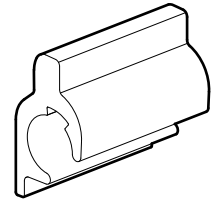
x 6

G



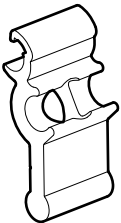
x 6

H



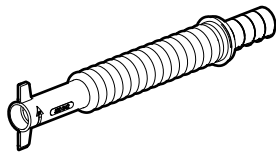
x 6

I



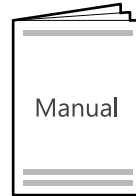
x 6

J



x 2

K



x 1

L

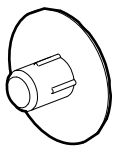


x 1



Kit

M



x 24

N



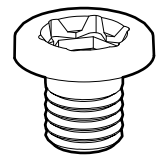
x 6

O



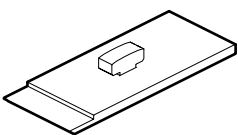
x 6

P



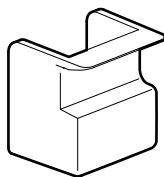
x 6

Q



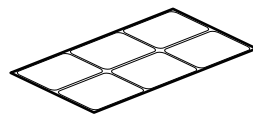
x 2

R



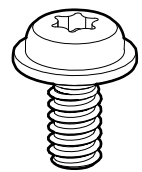
x 2

S

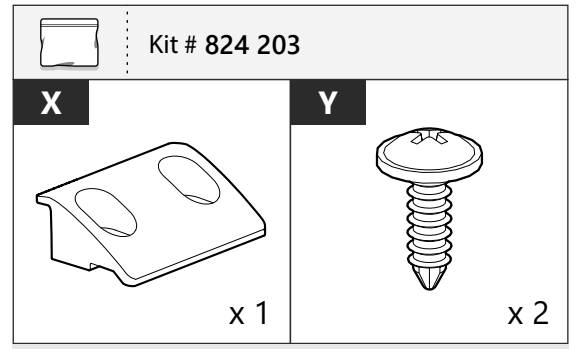
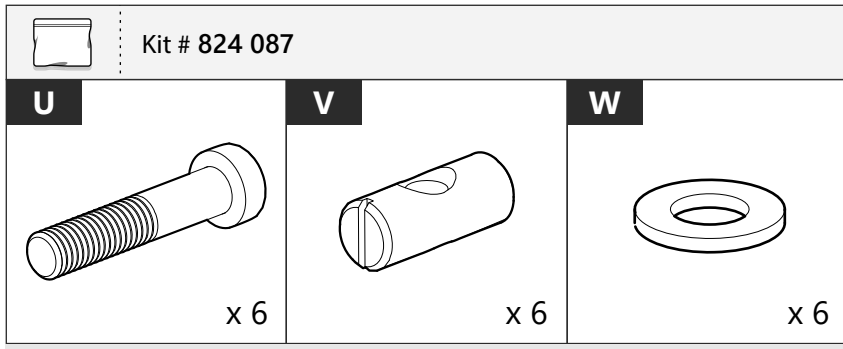



x 1

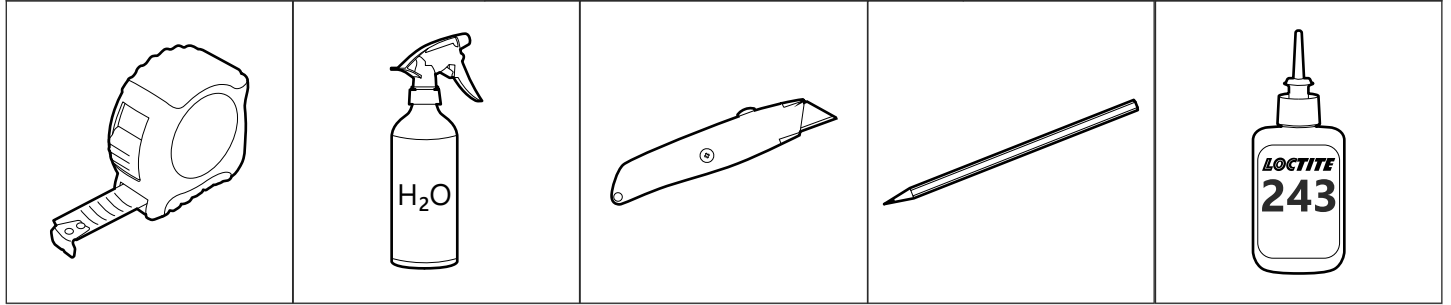
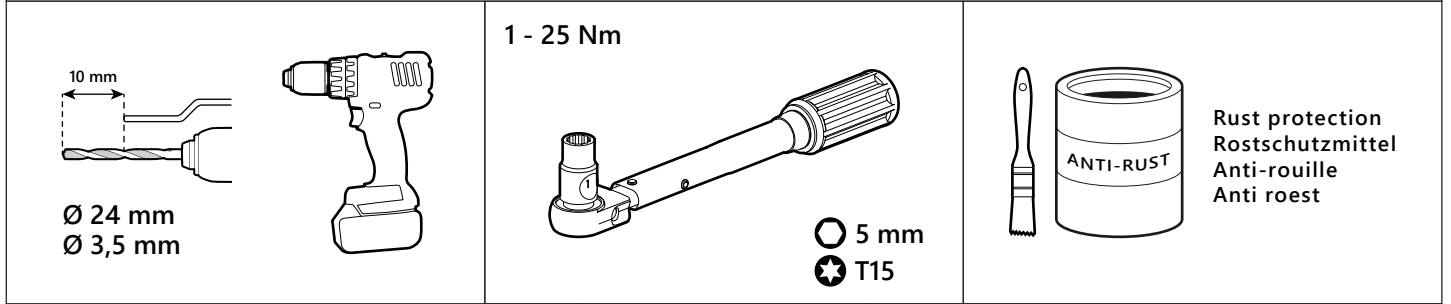
T



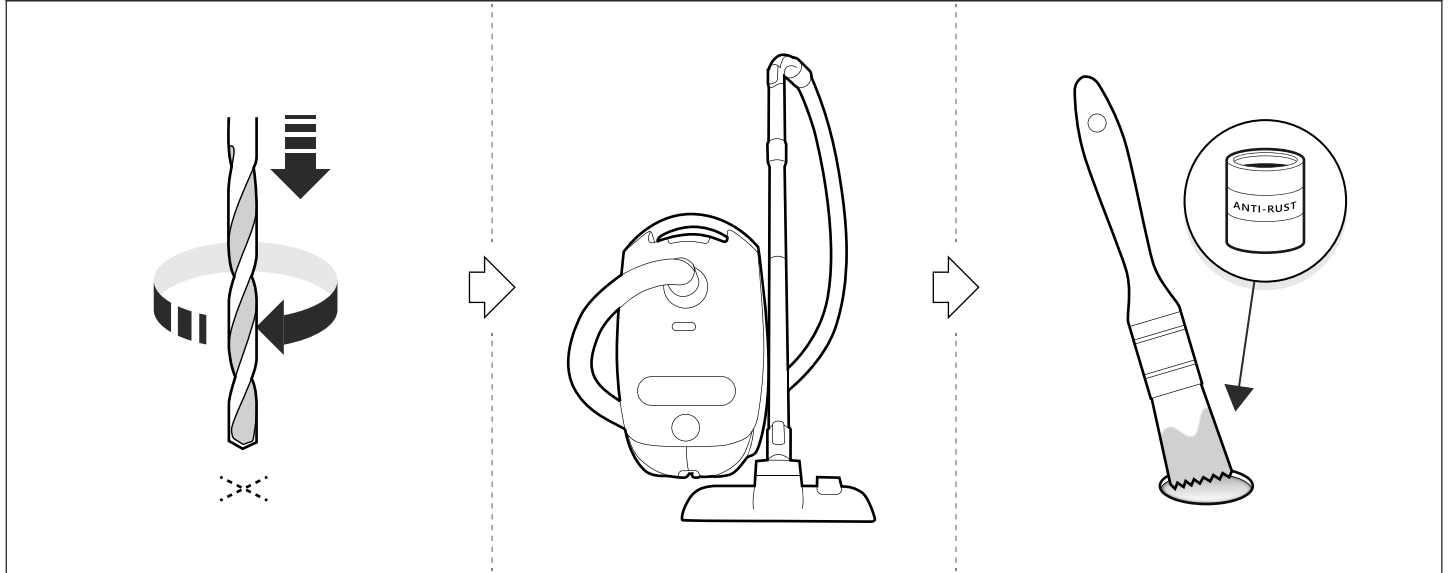
x 4

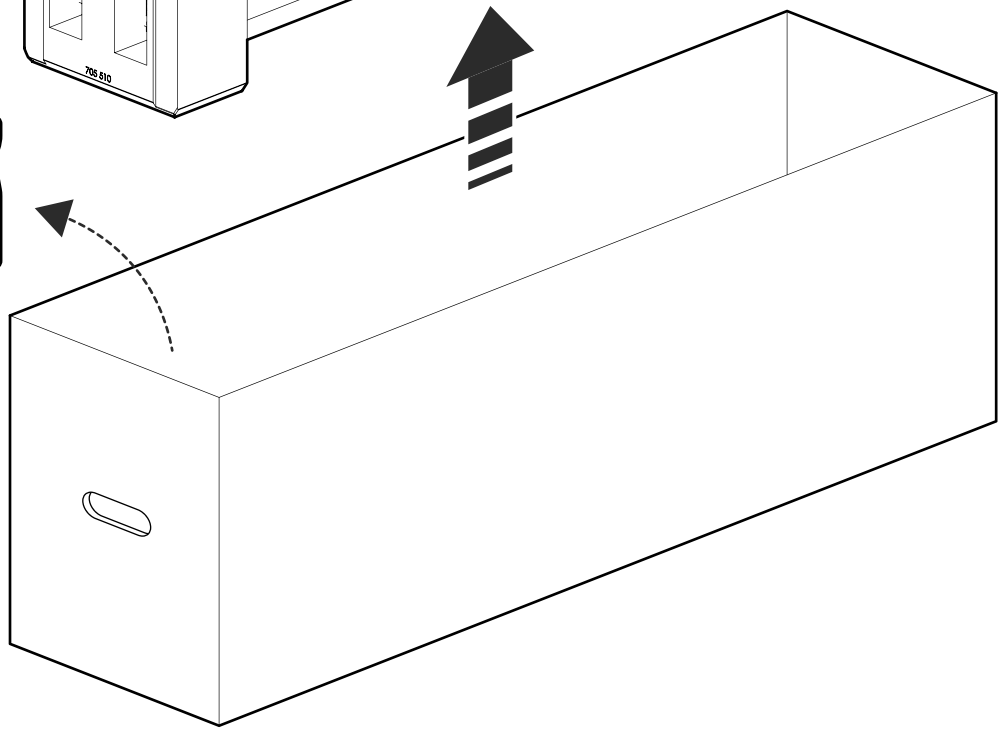
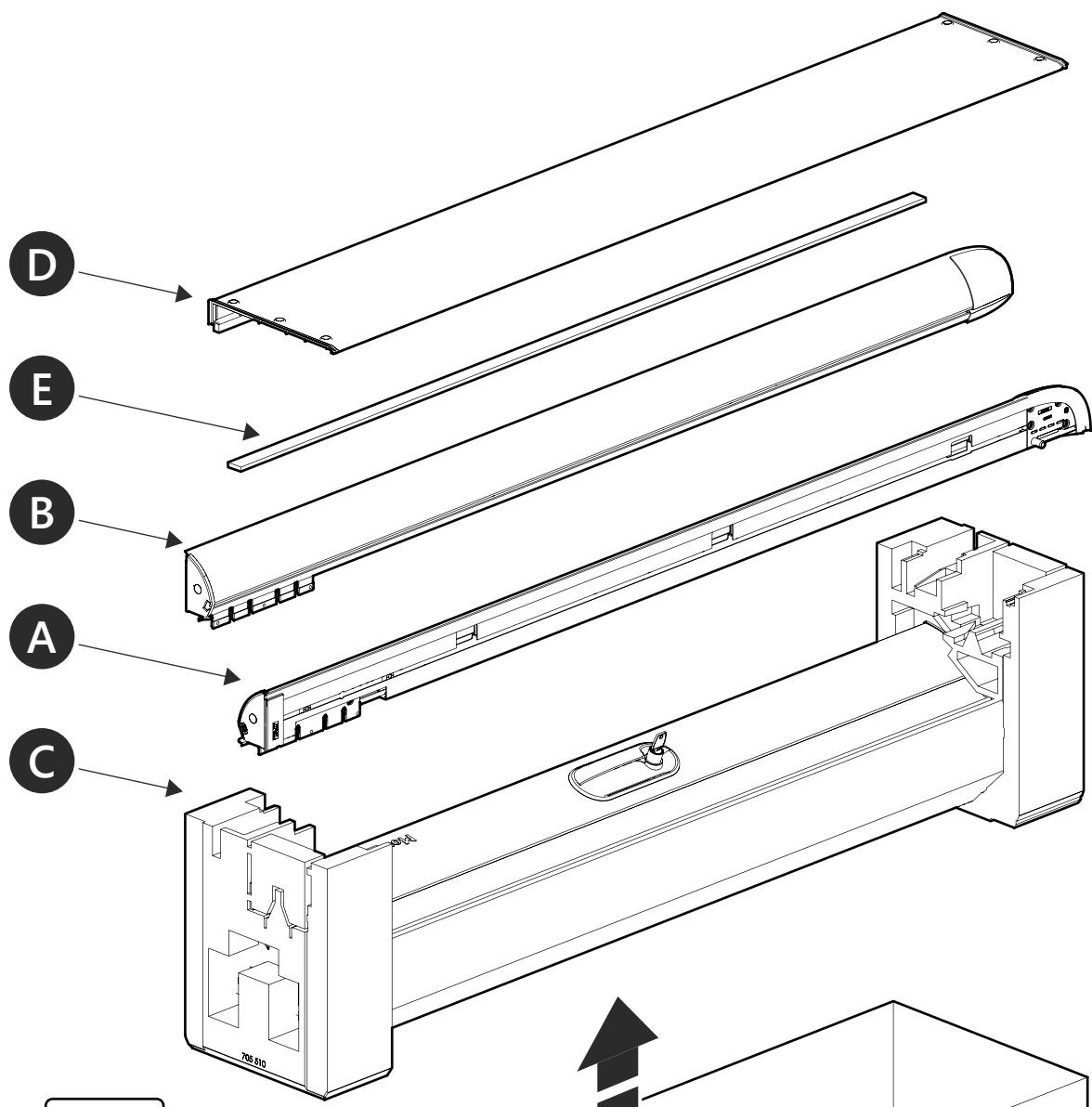


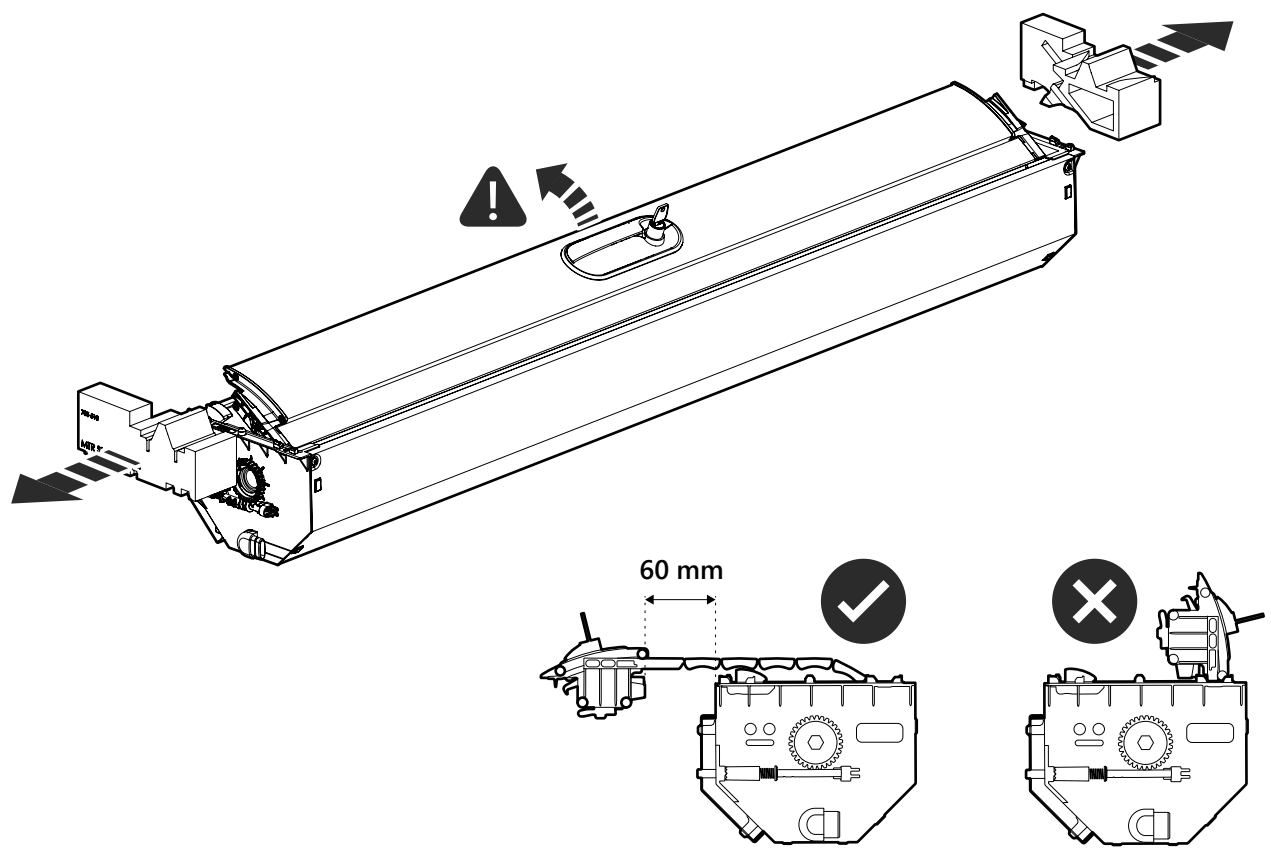
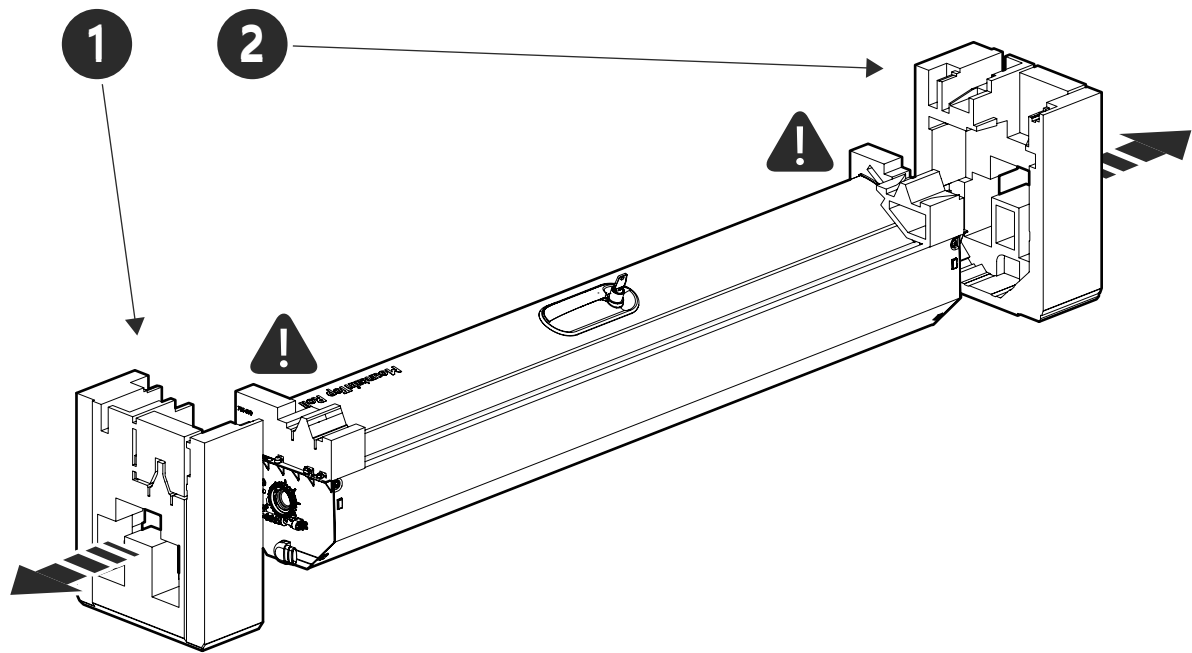
 Tools and materials needed

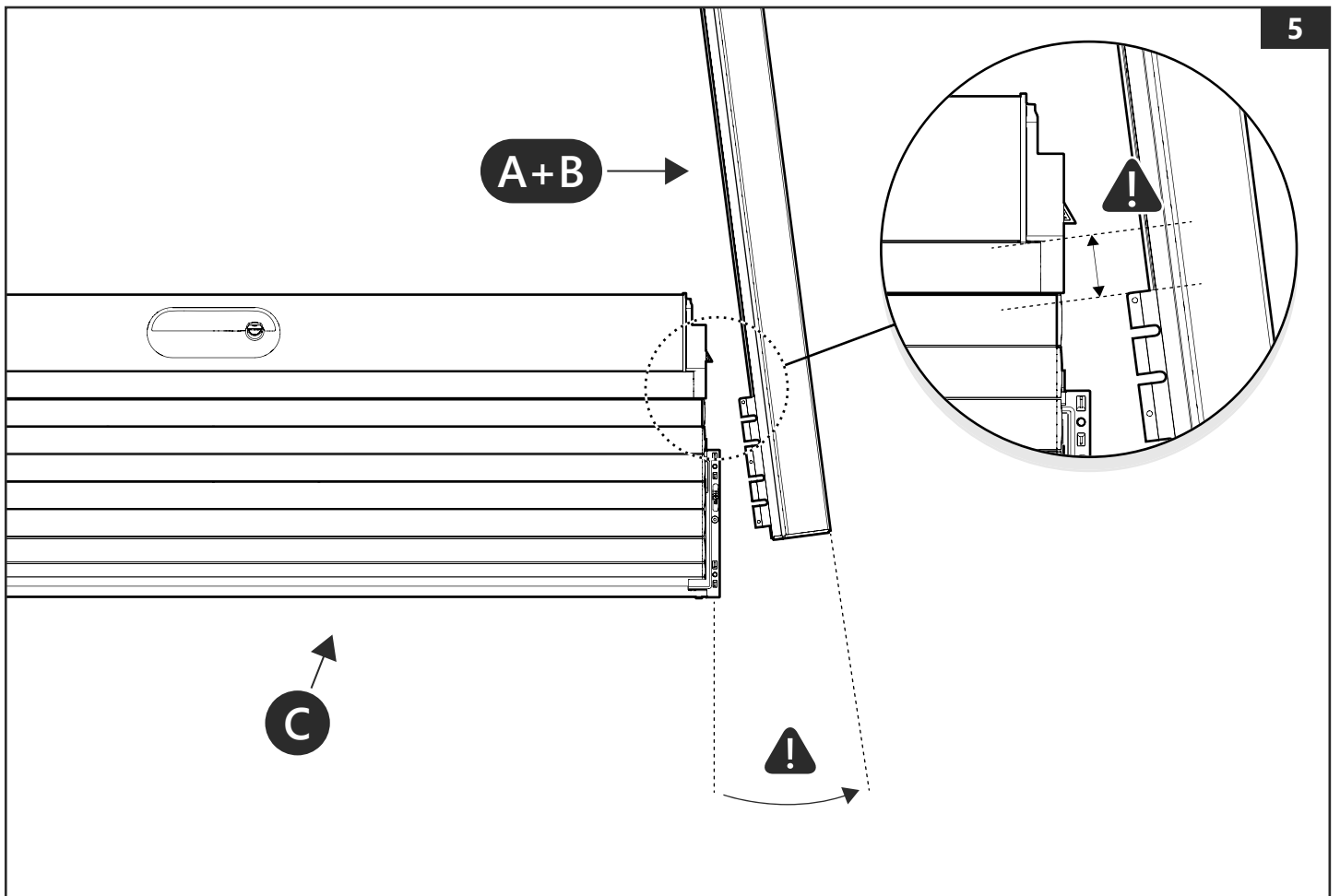
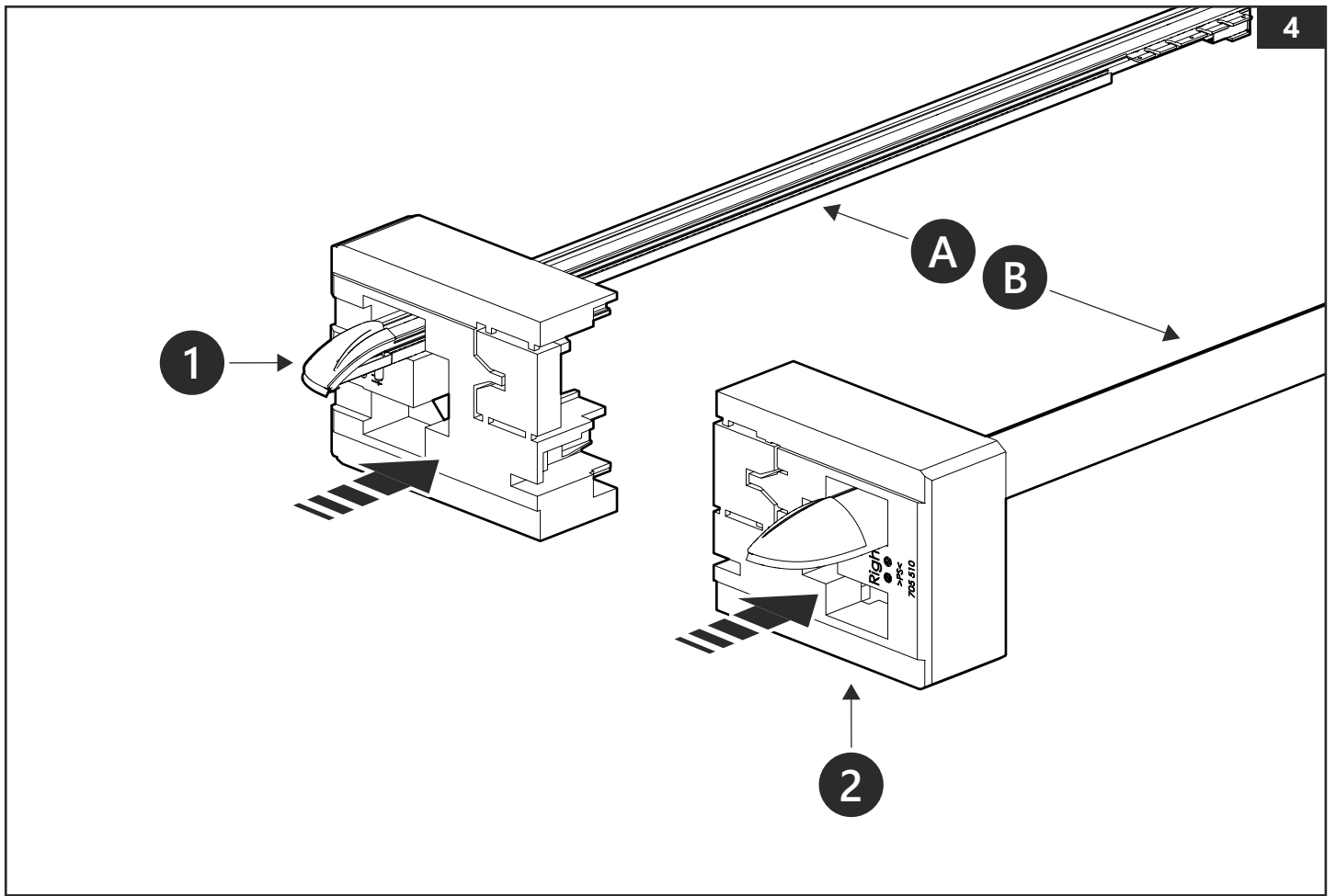


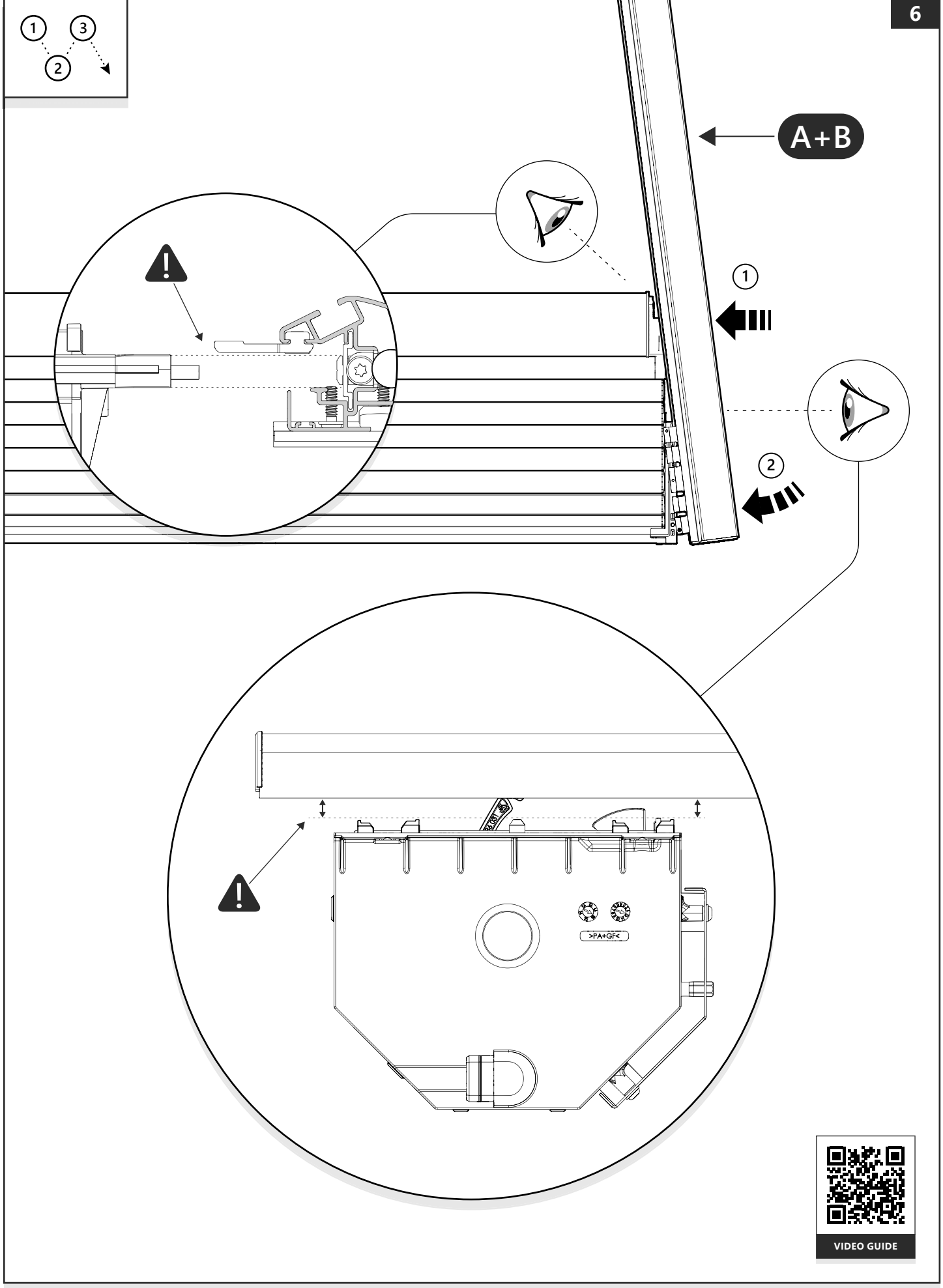
1 Applying rust protection

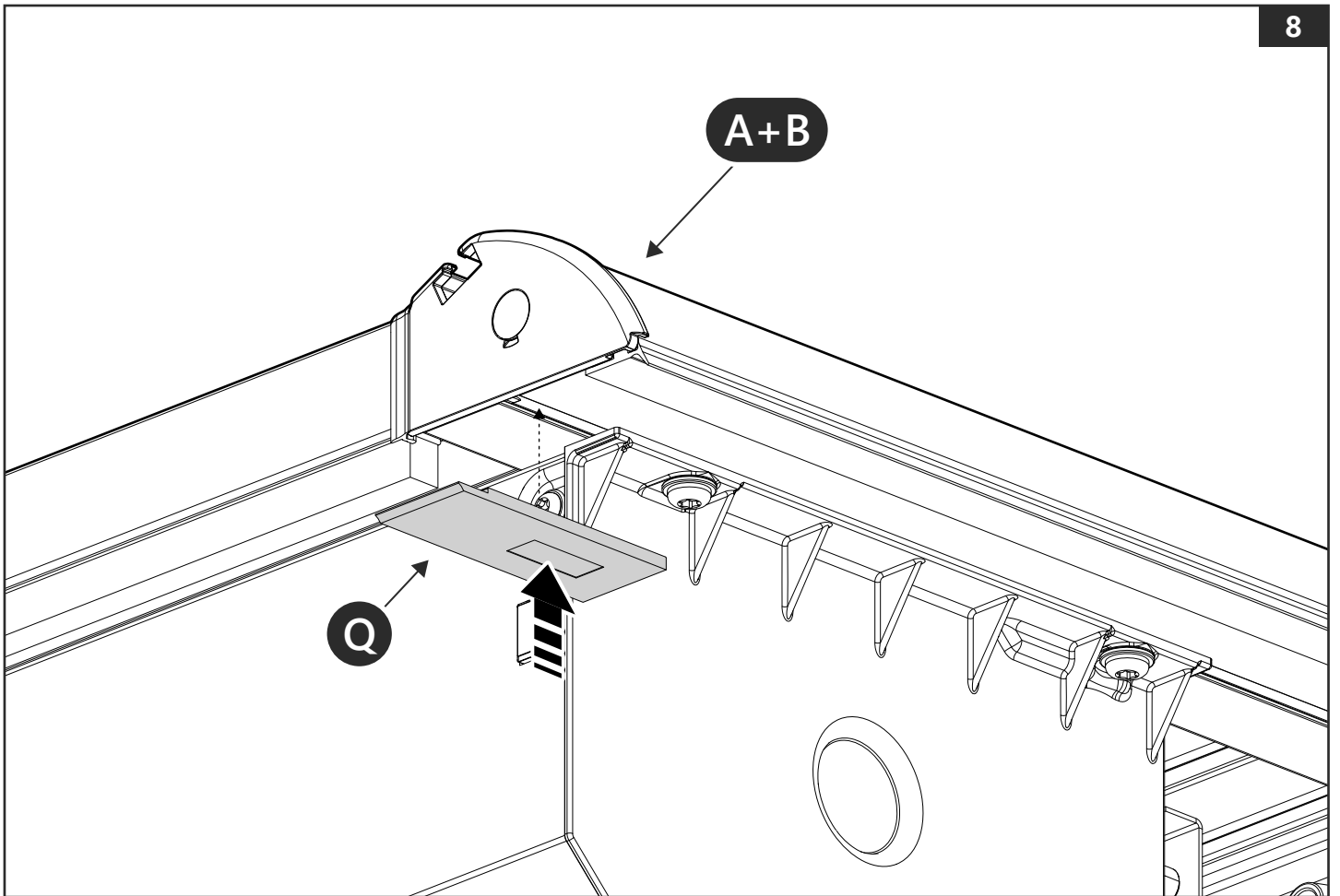
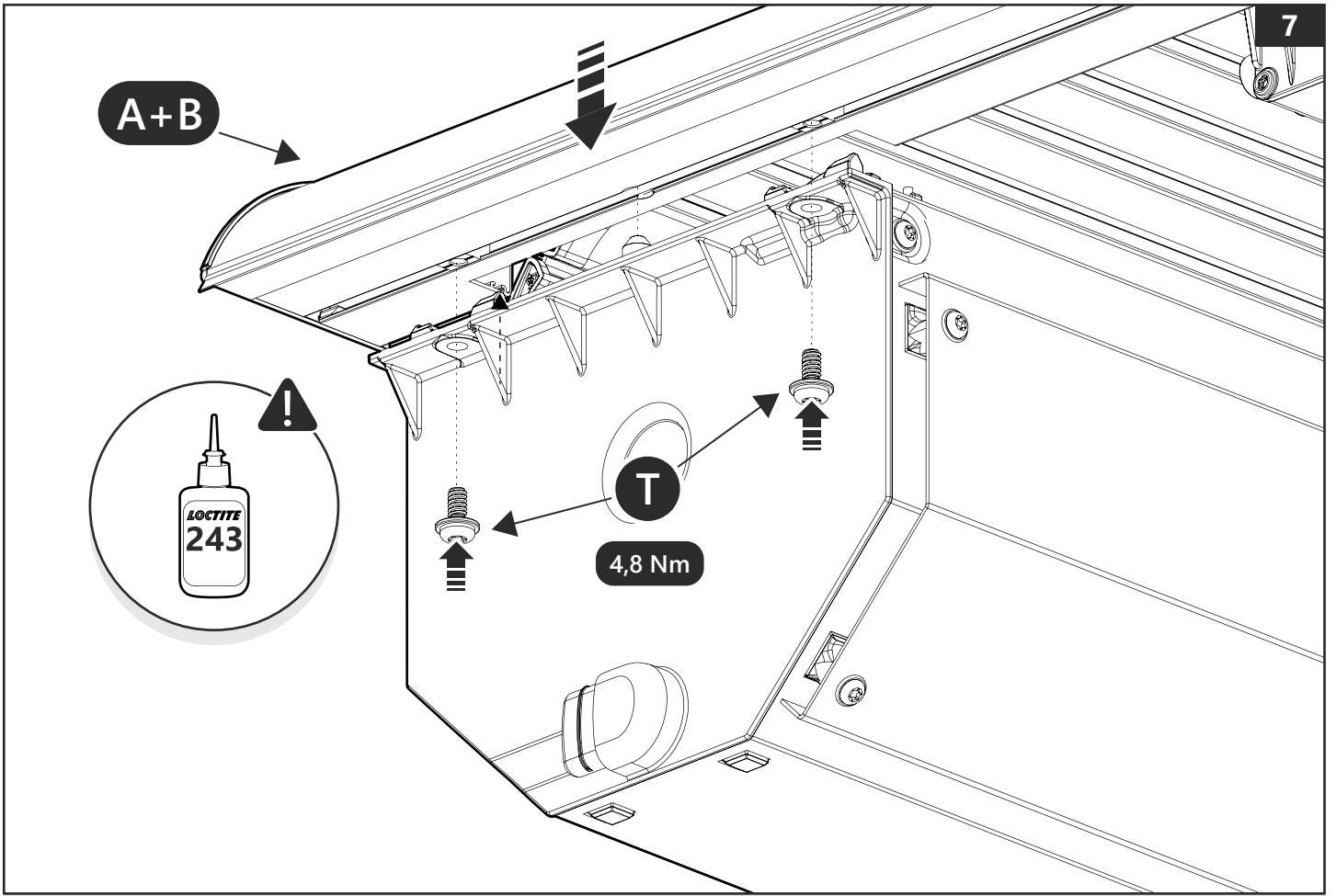


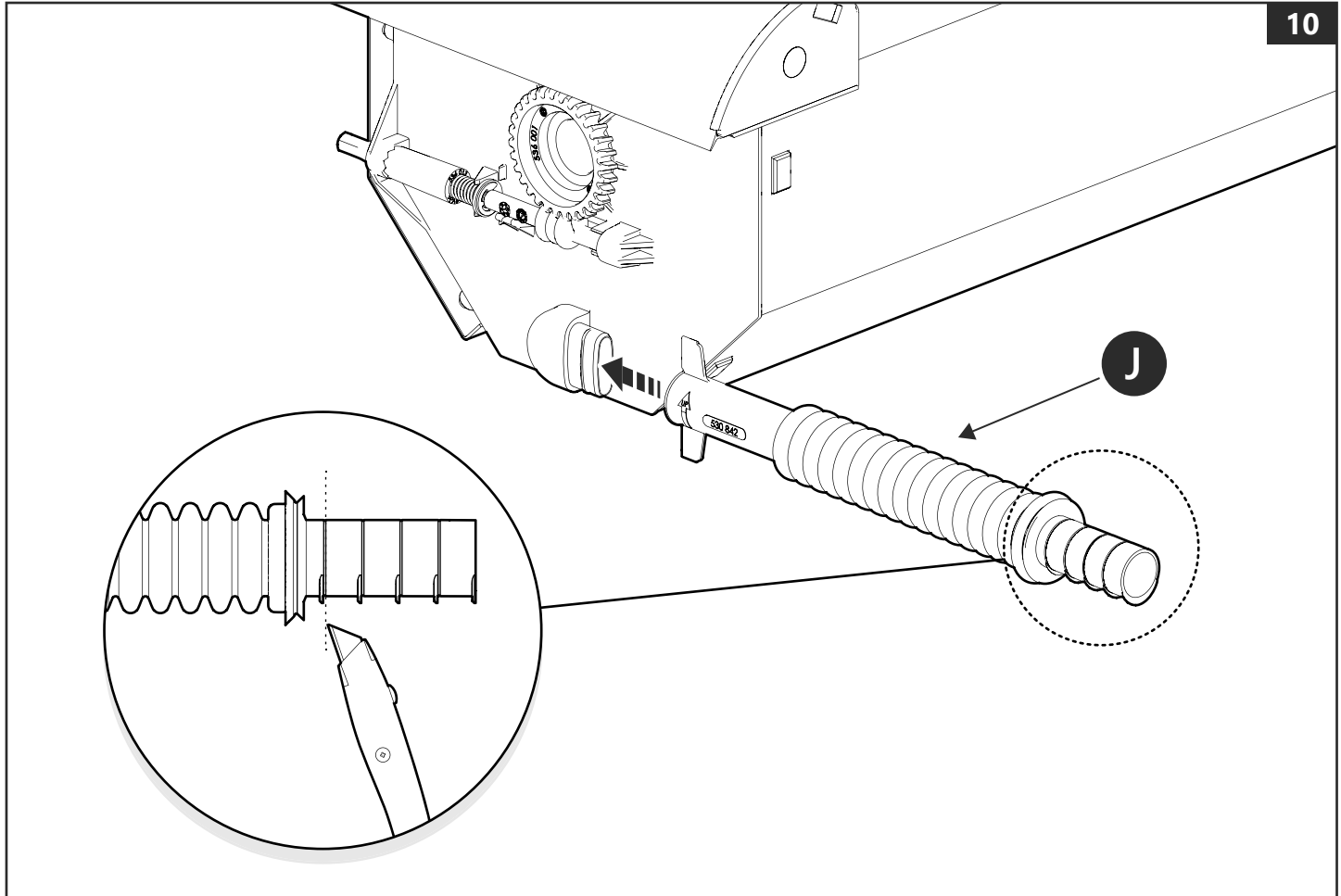
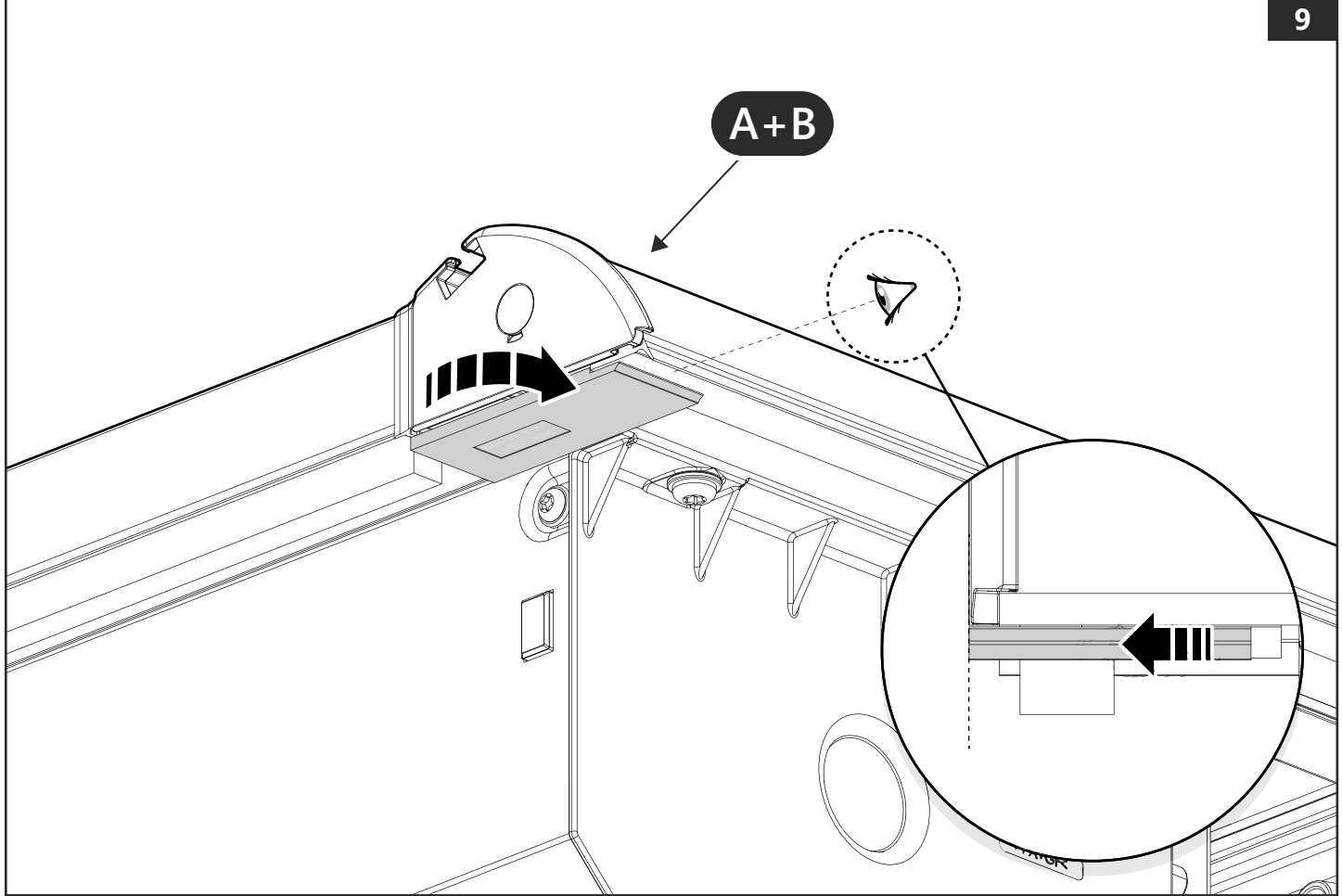


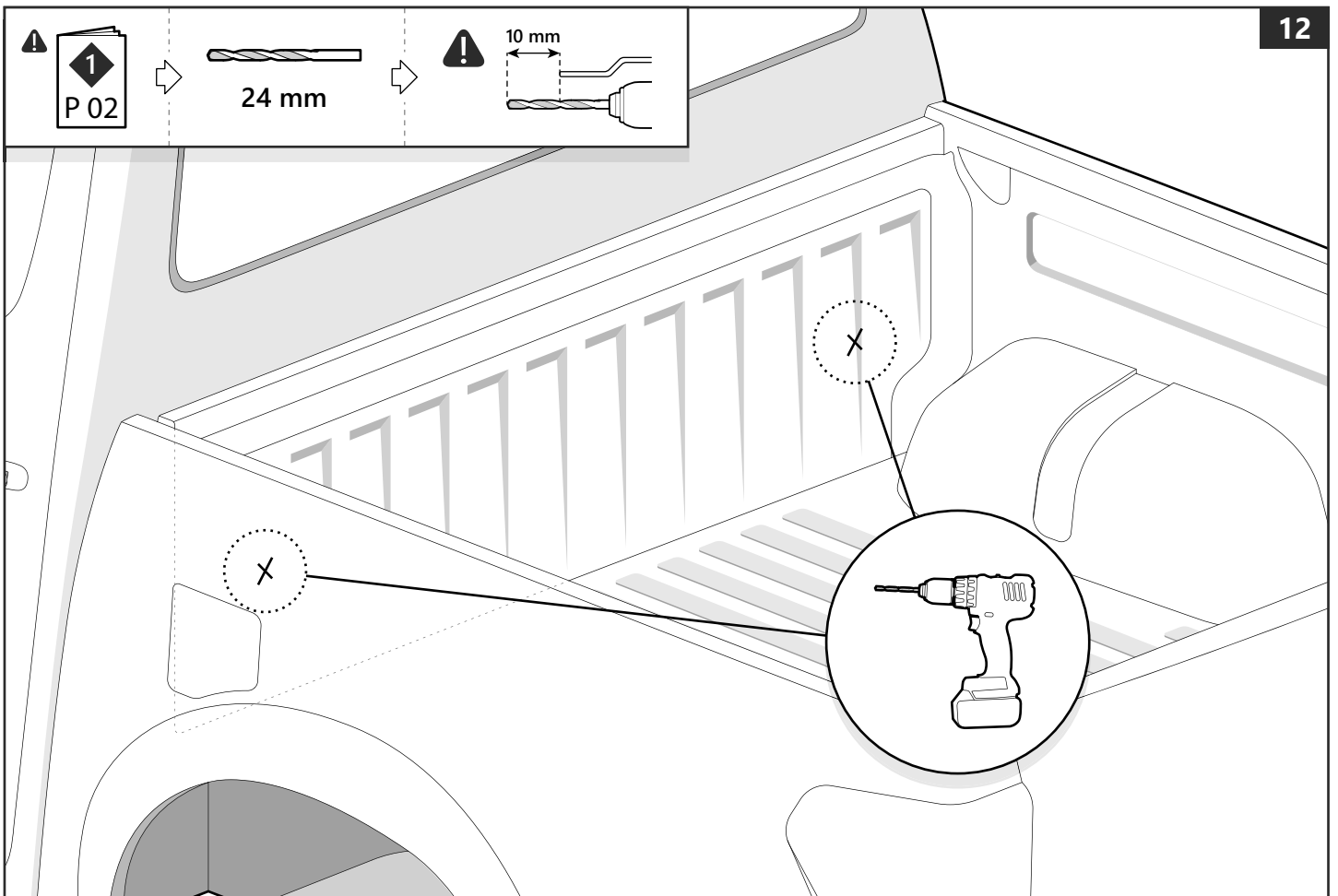
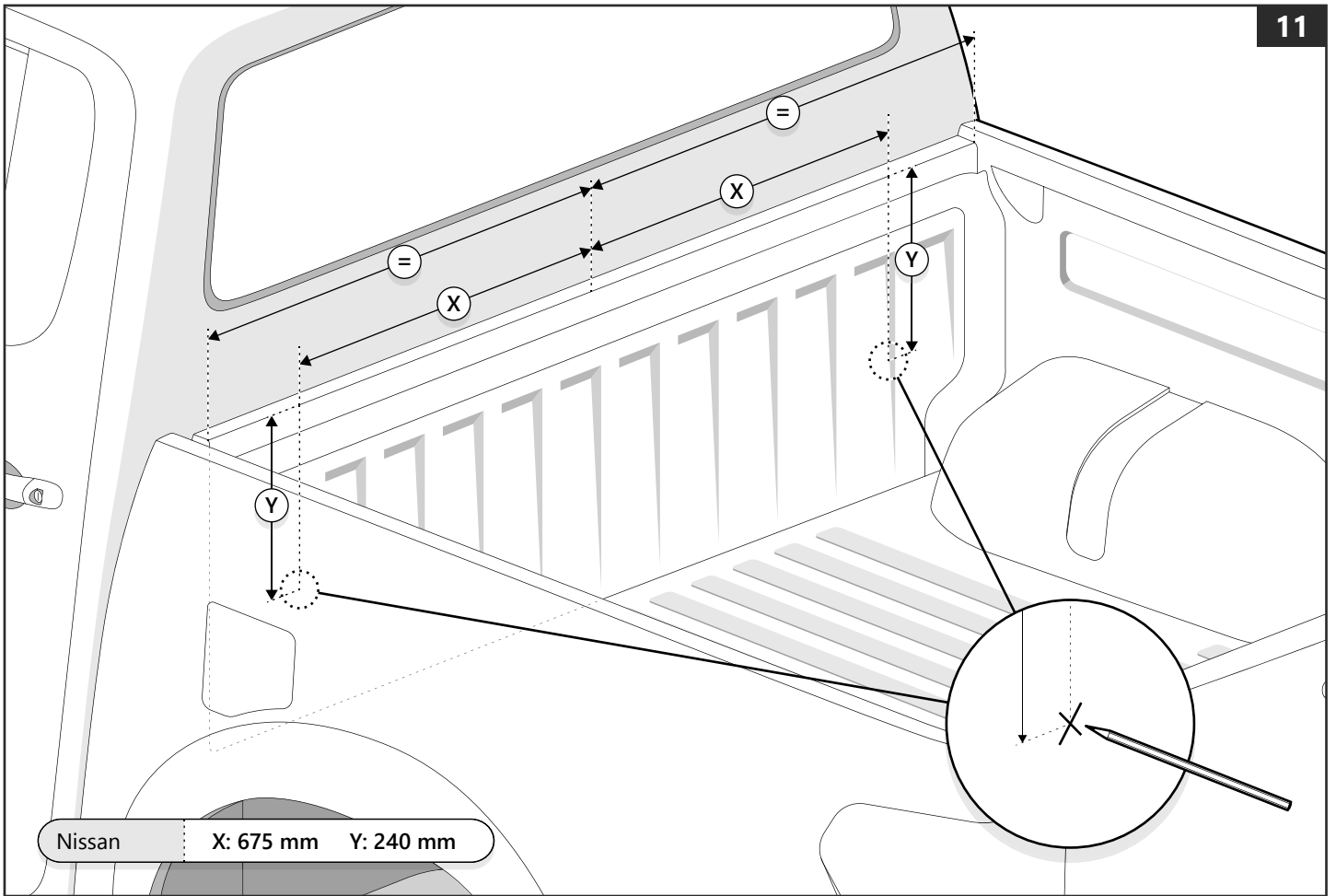


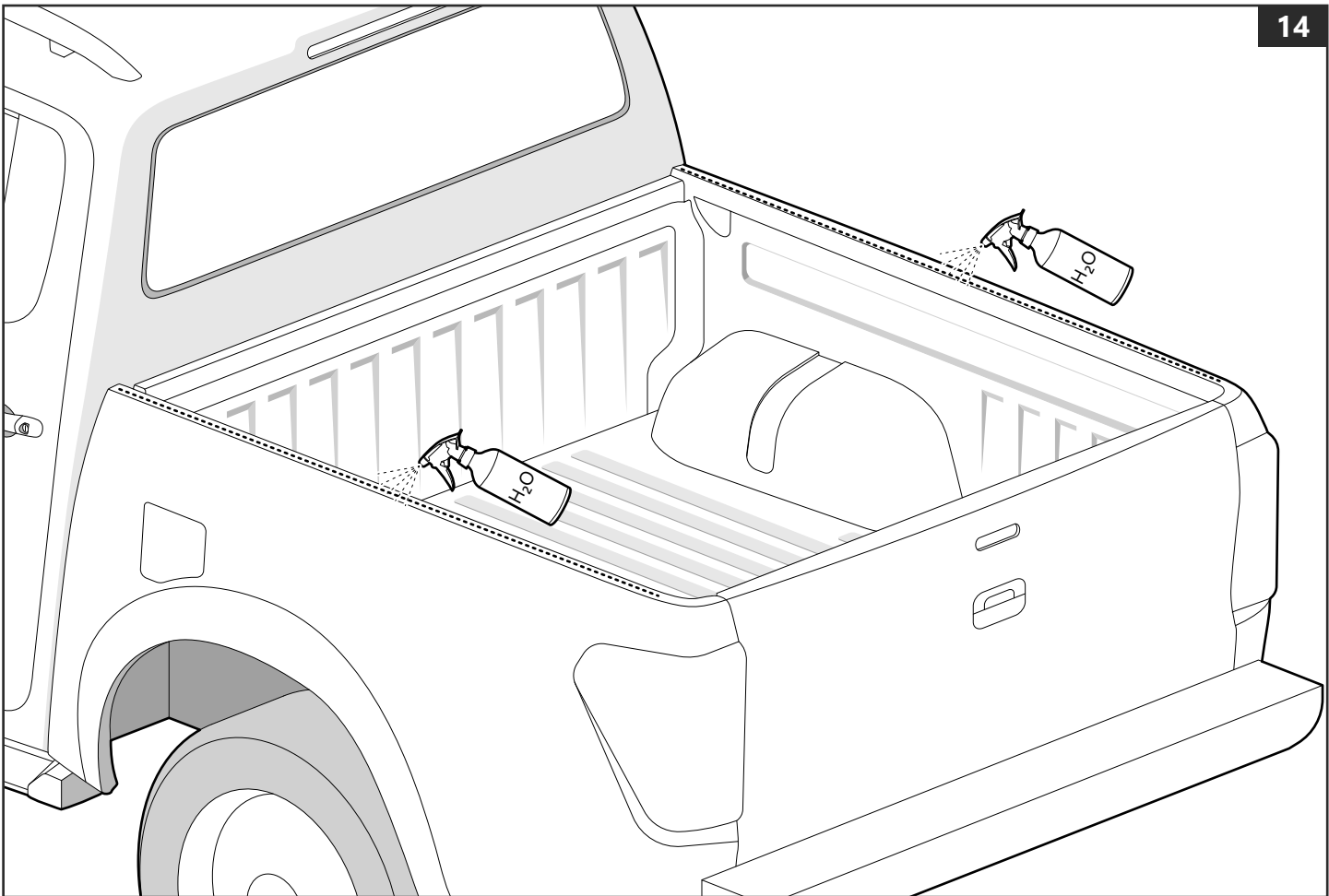
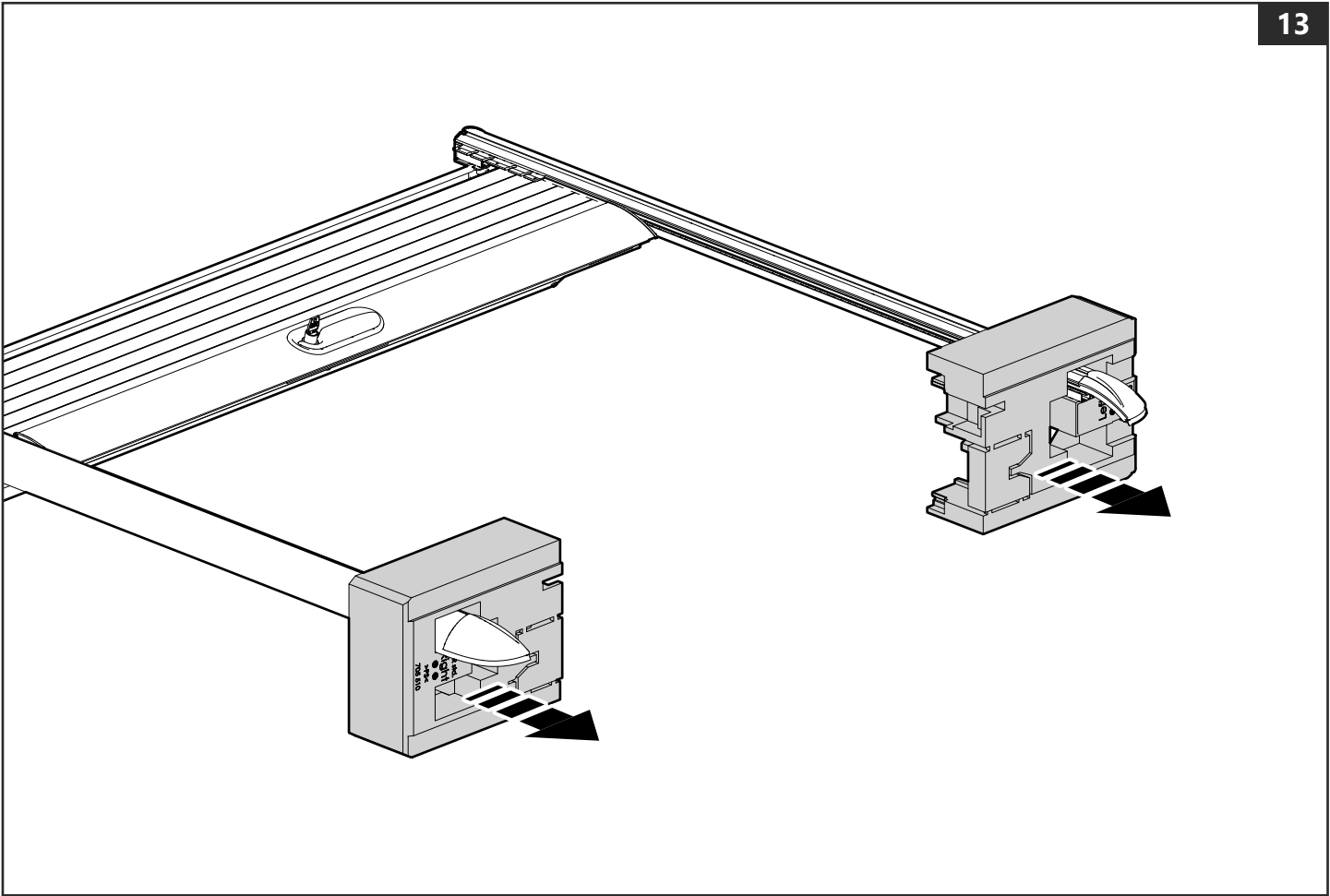


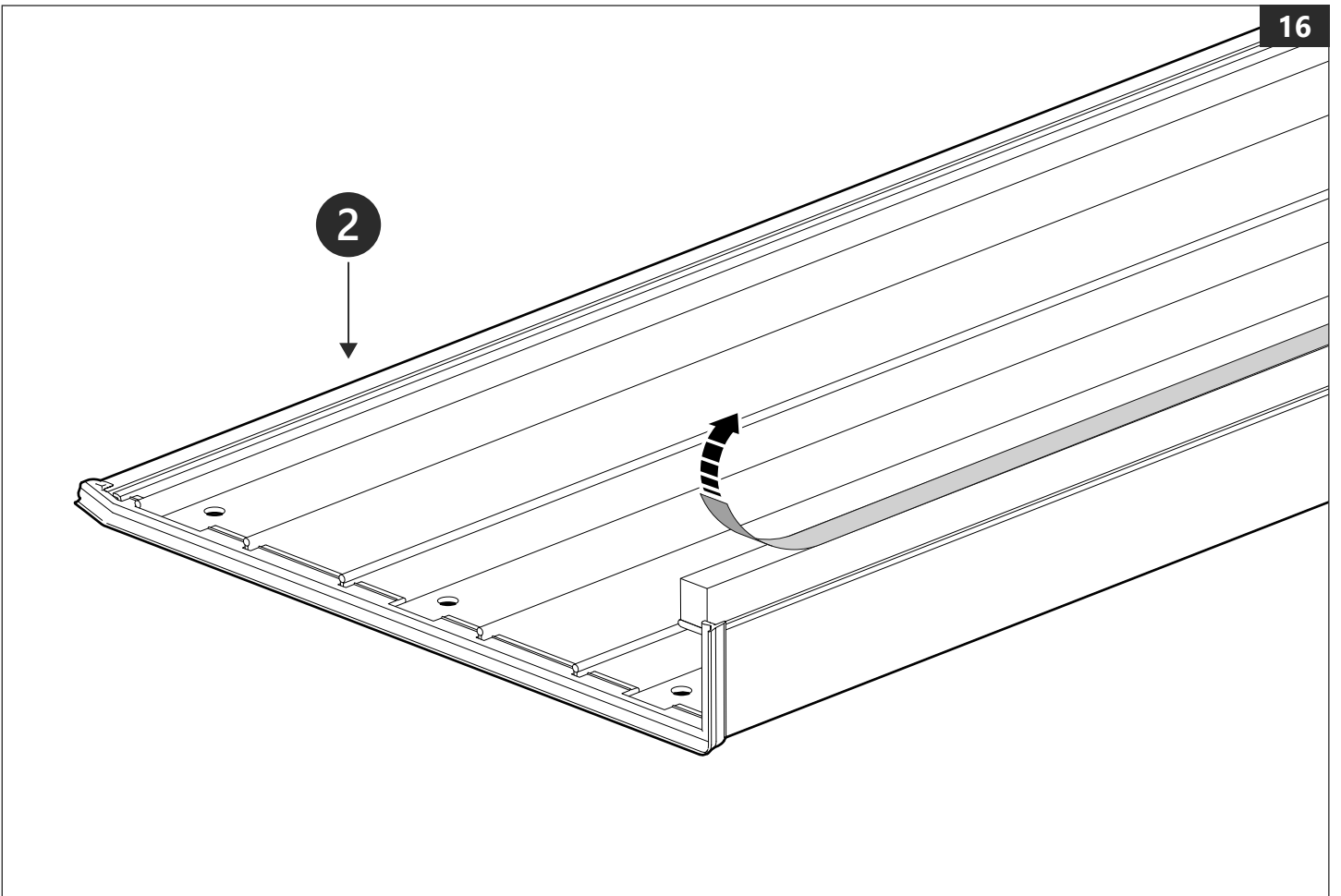
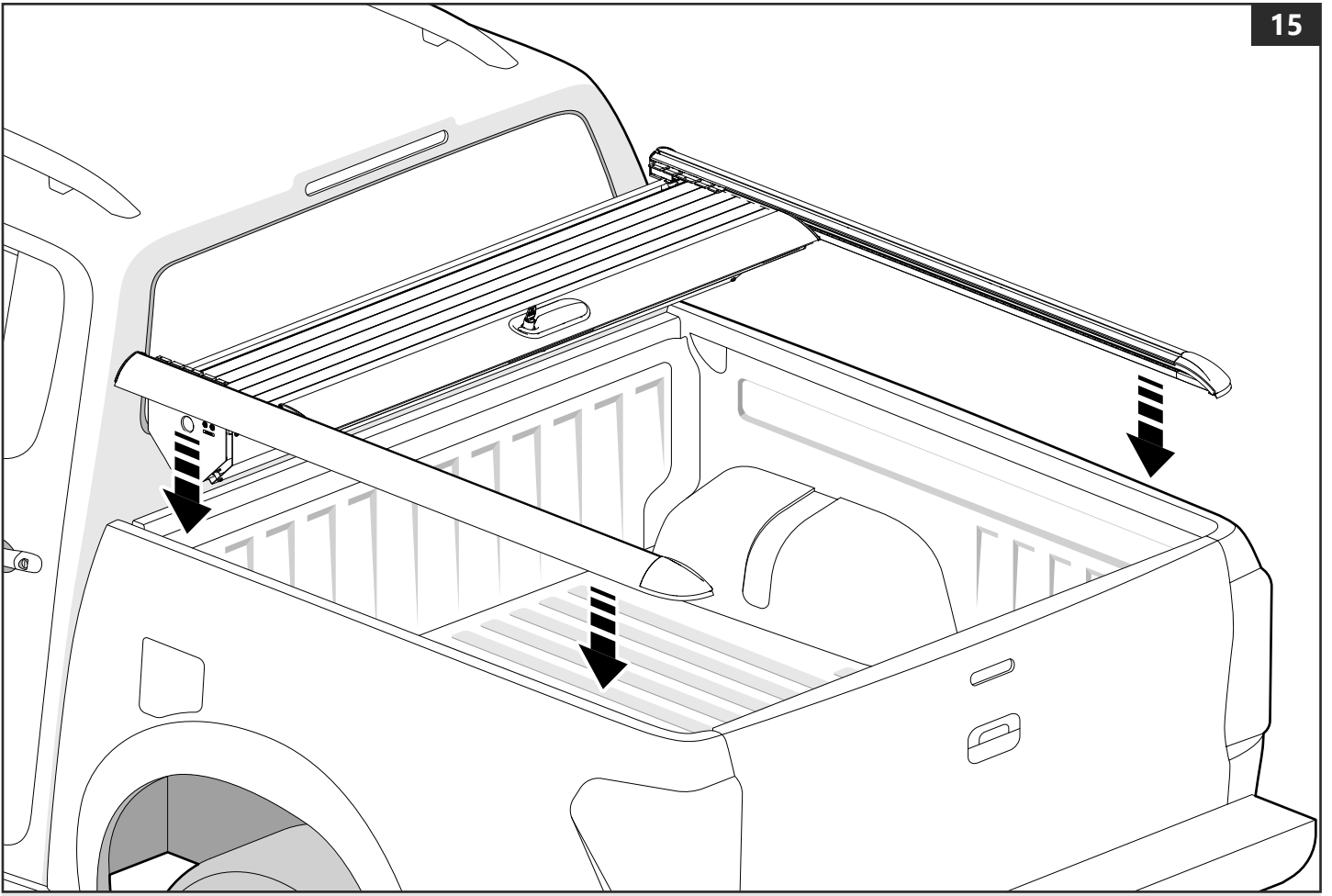


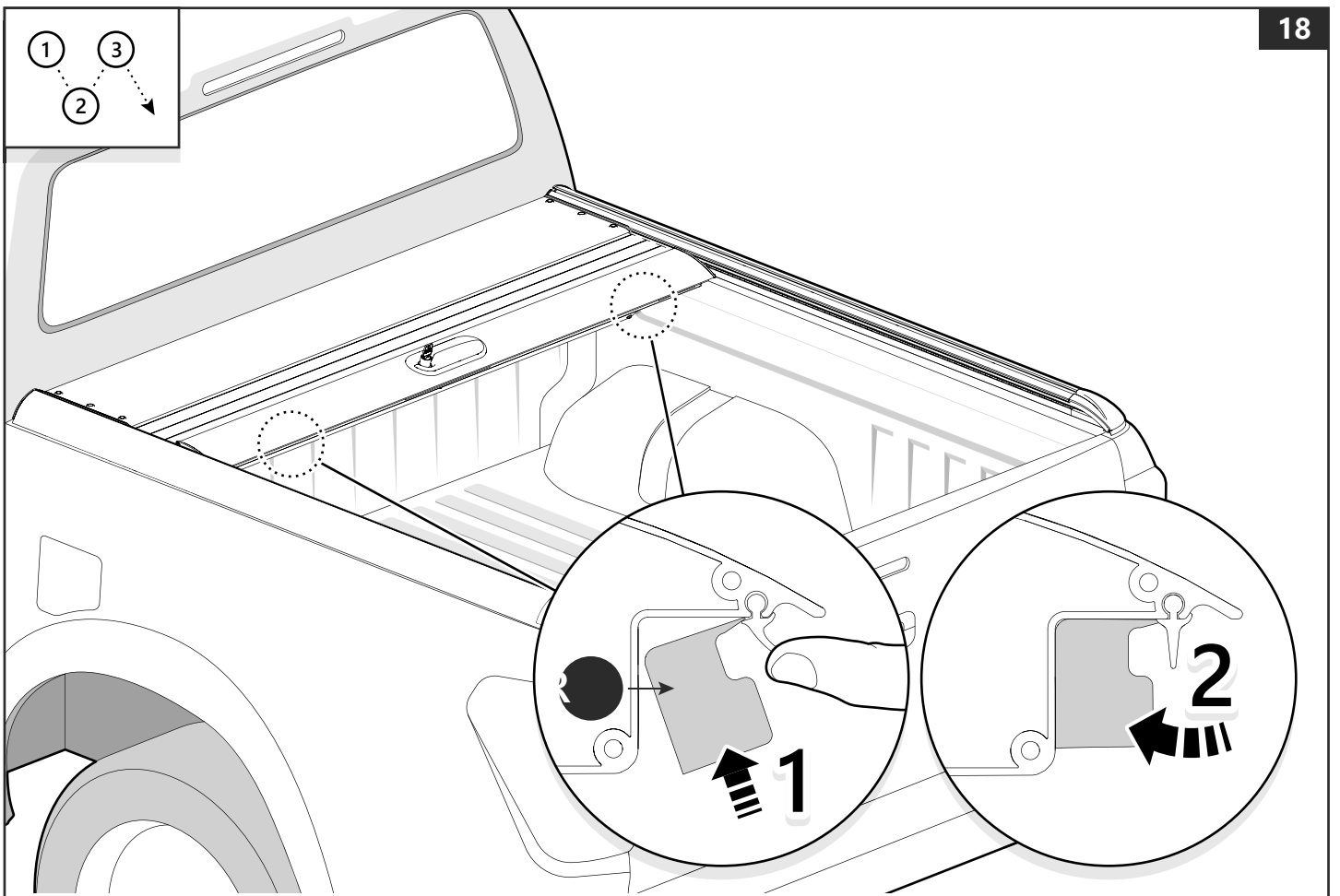
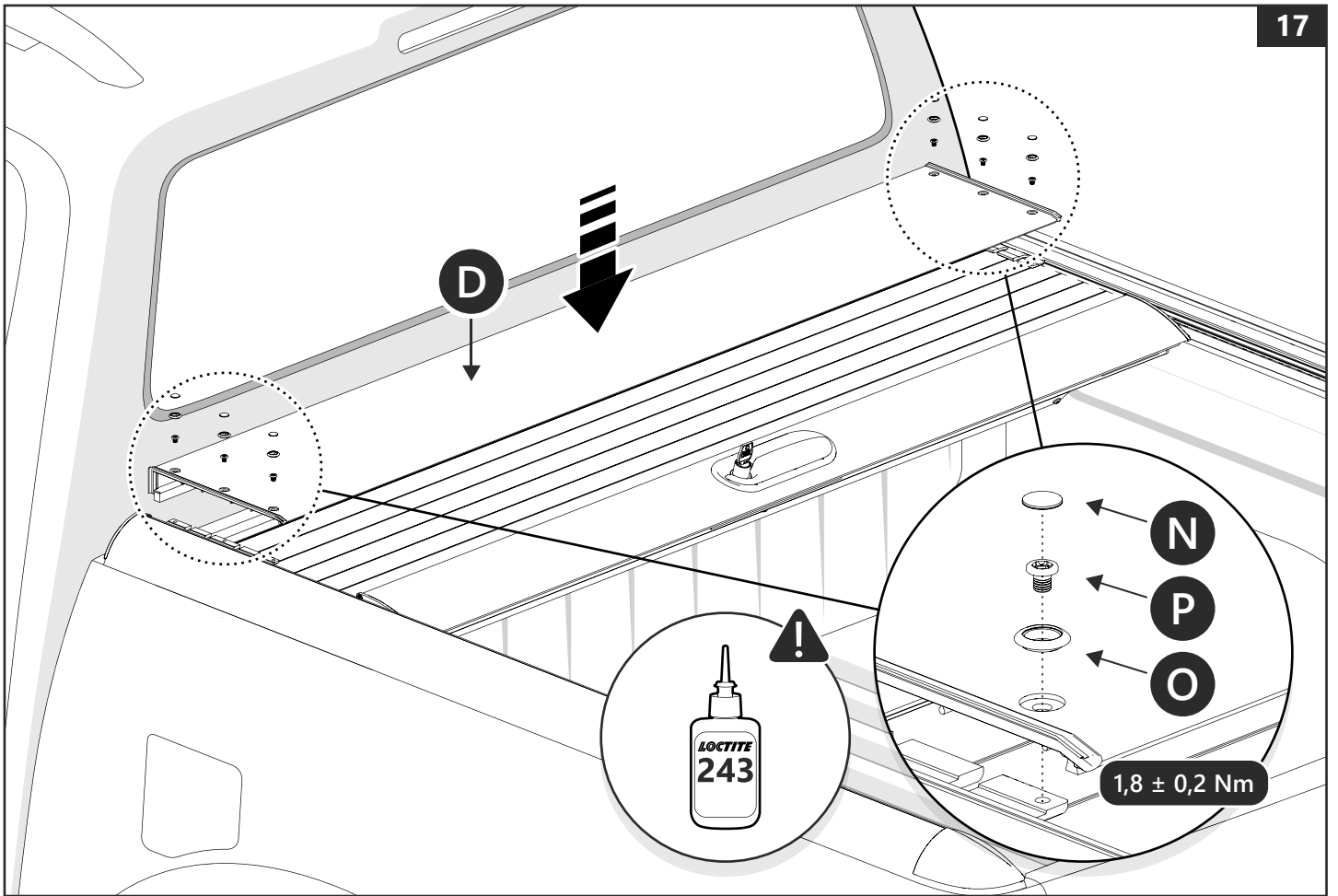


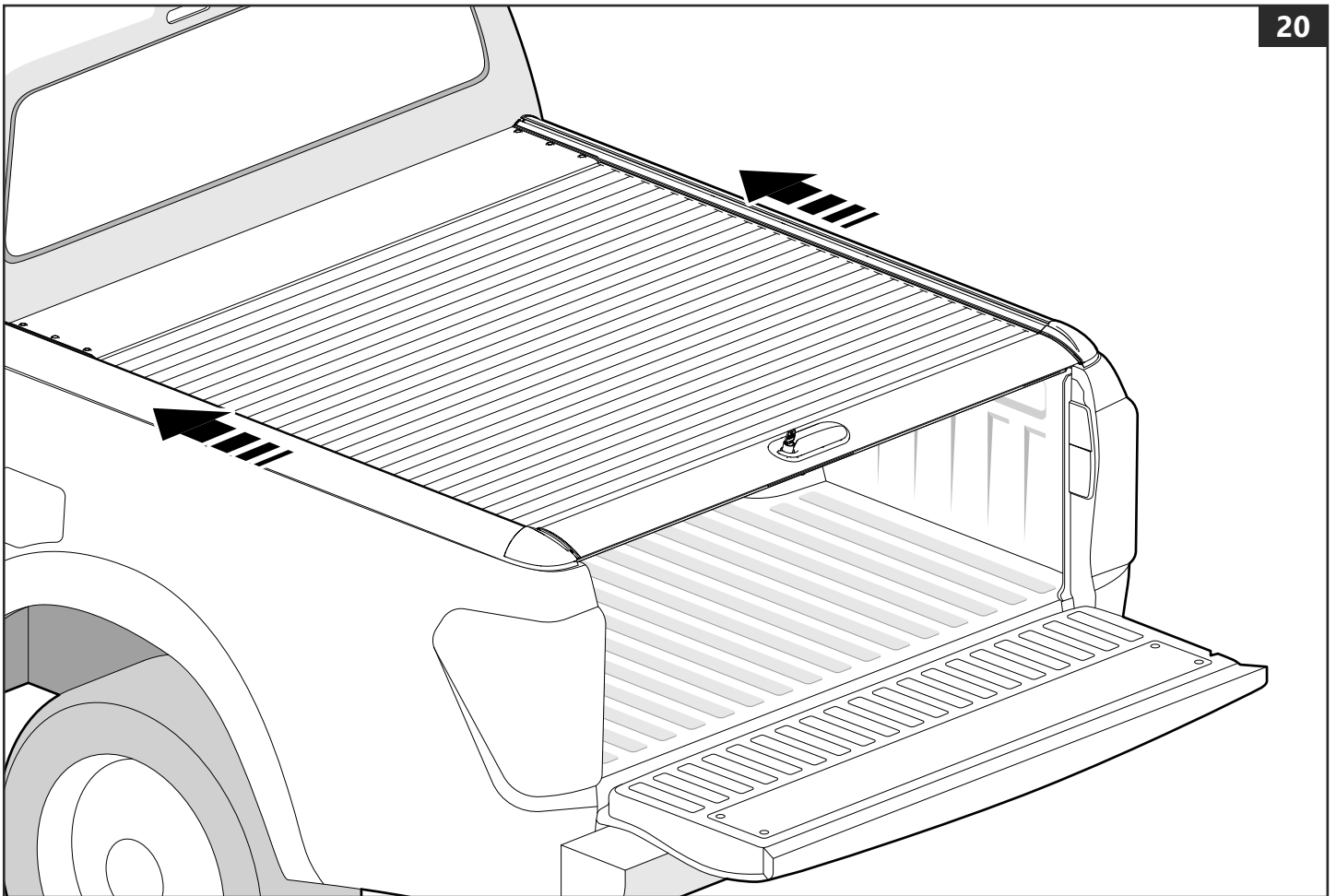
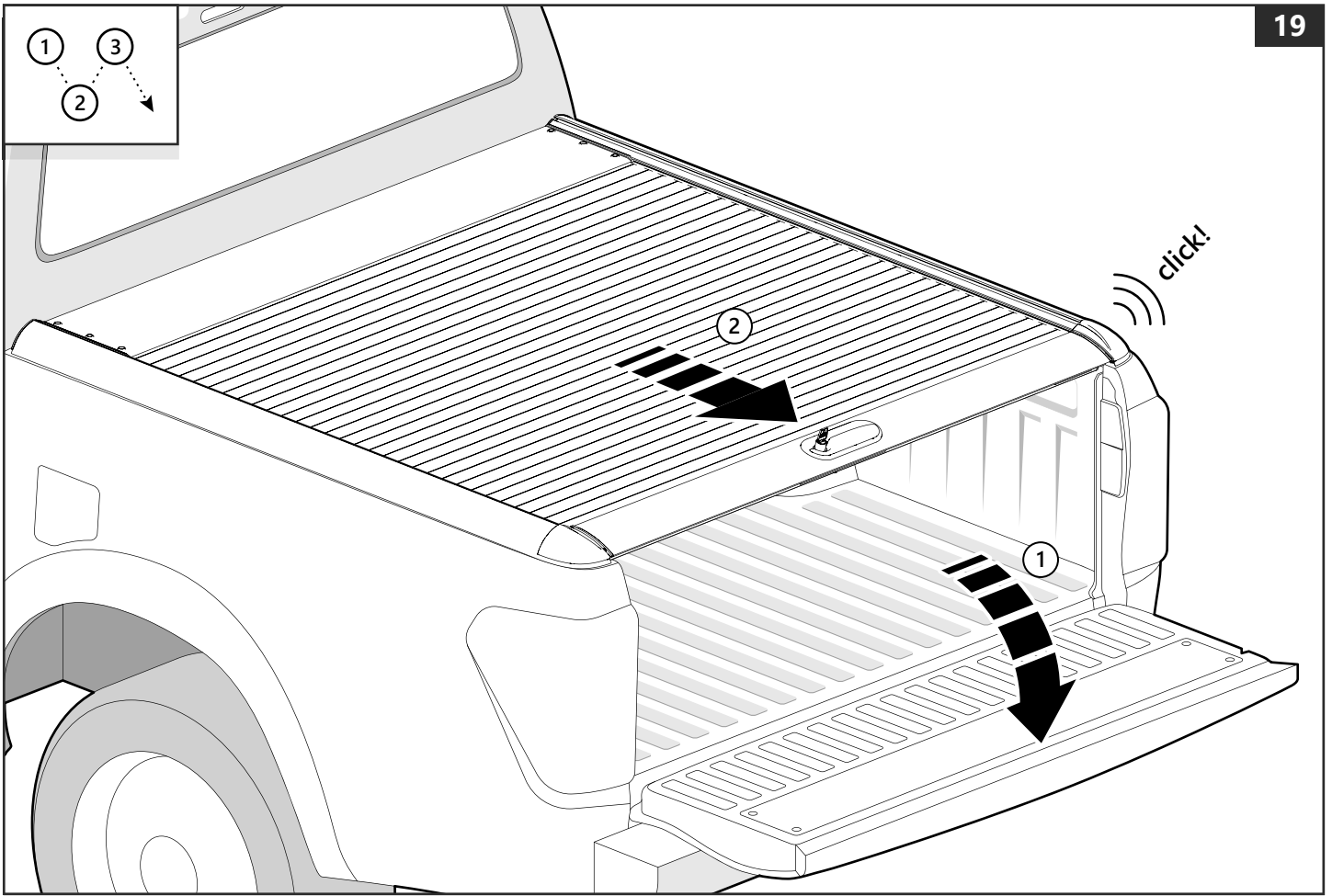


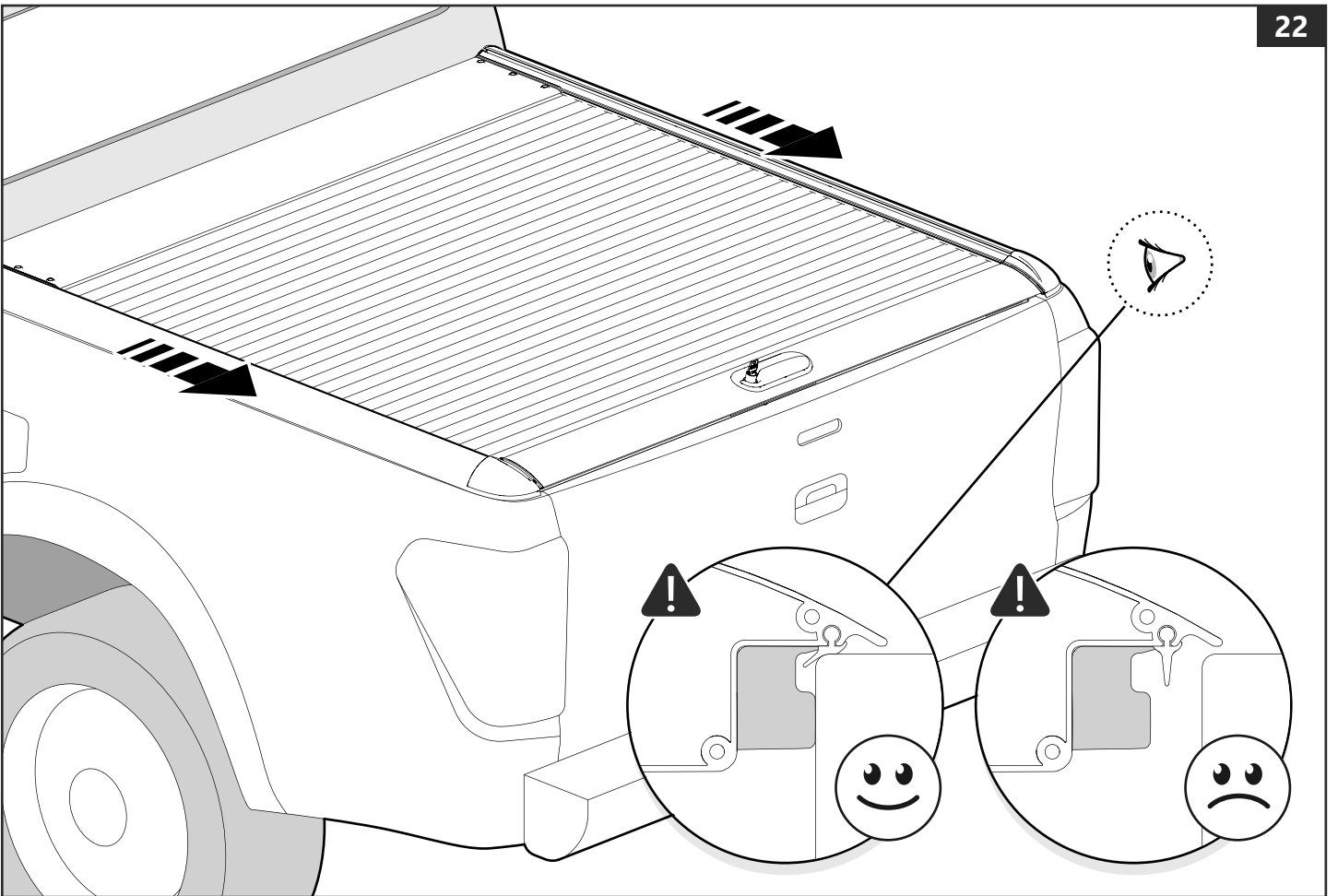
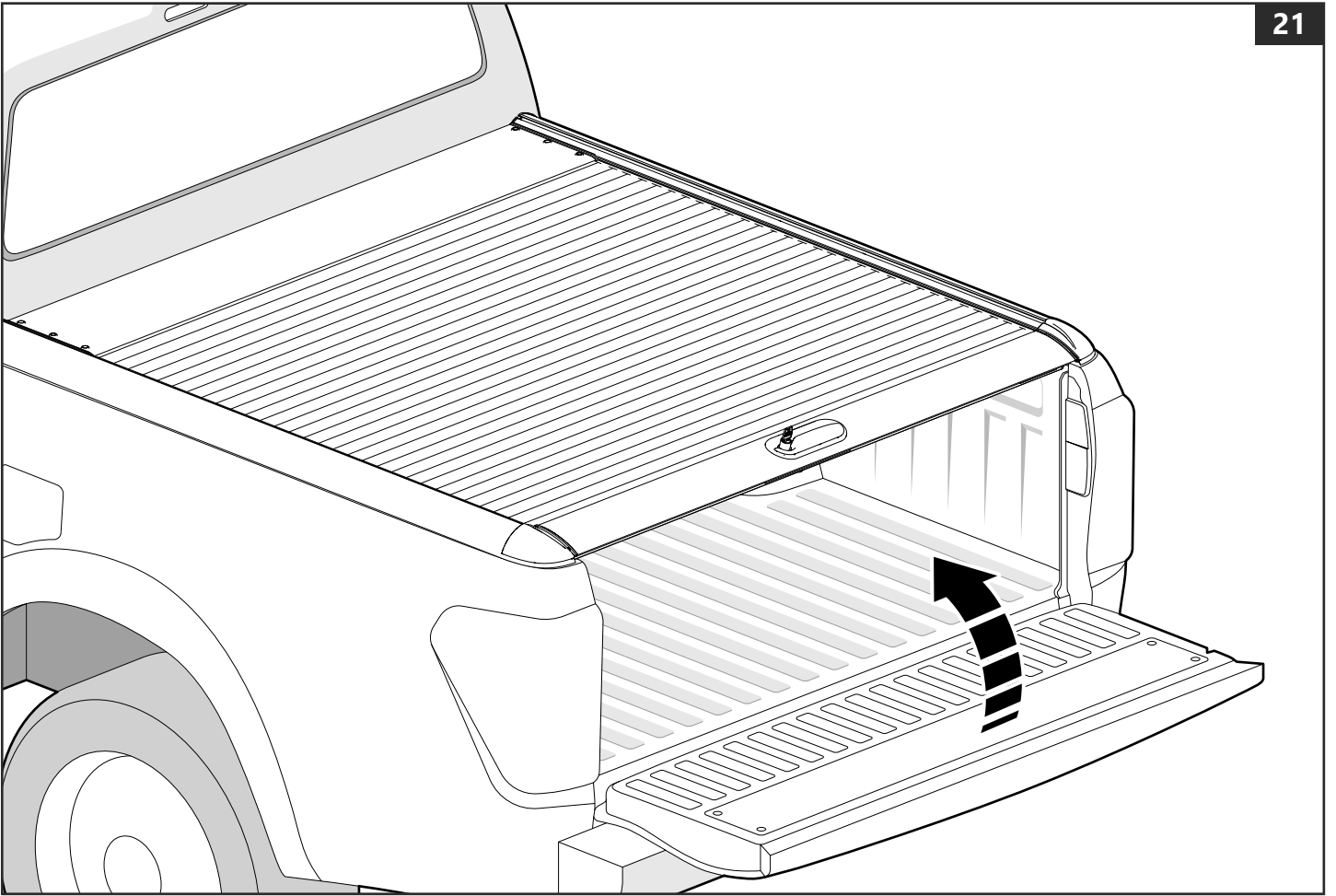


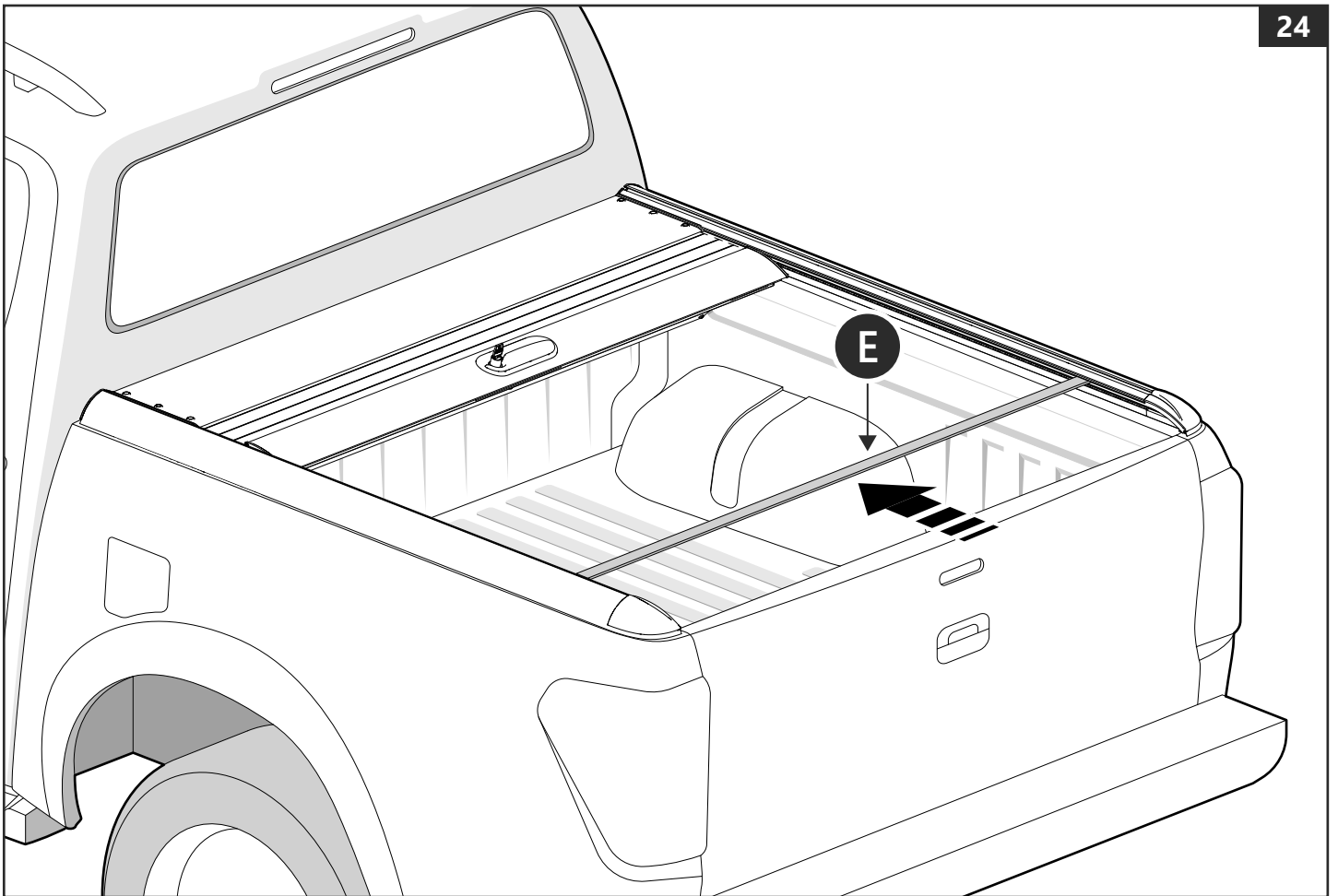
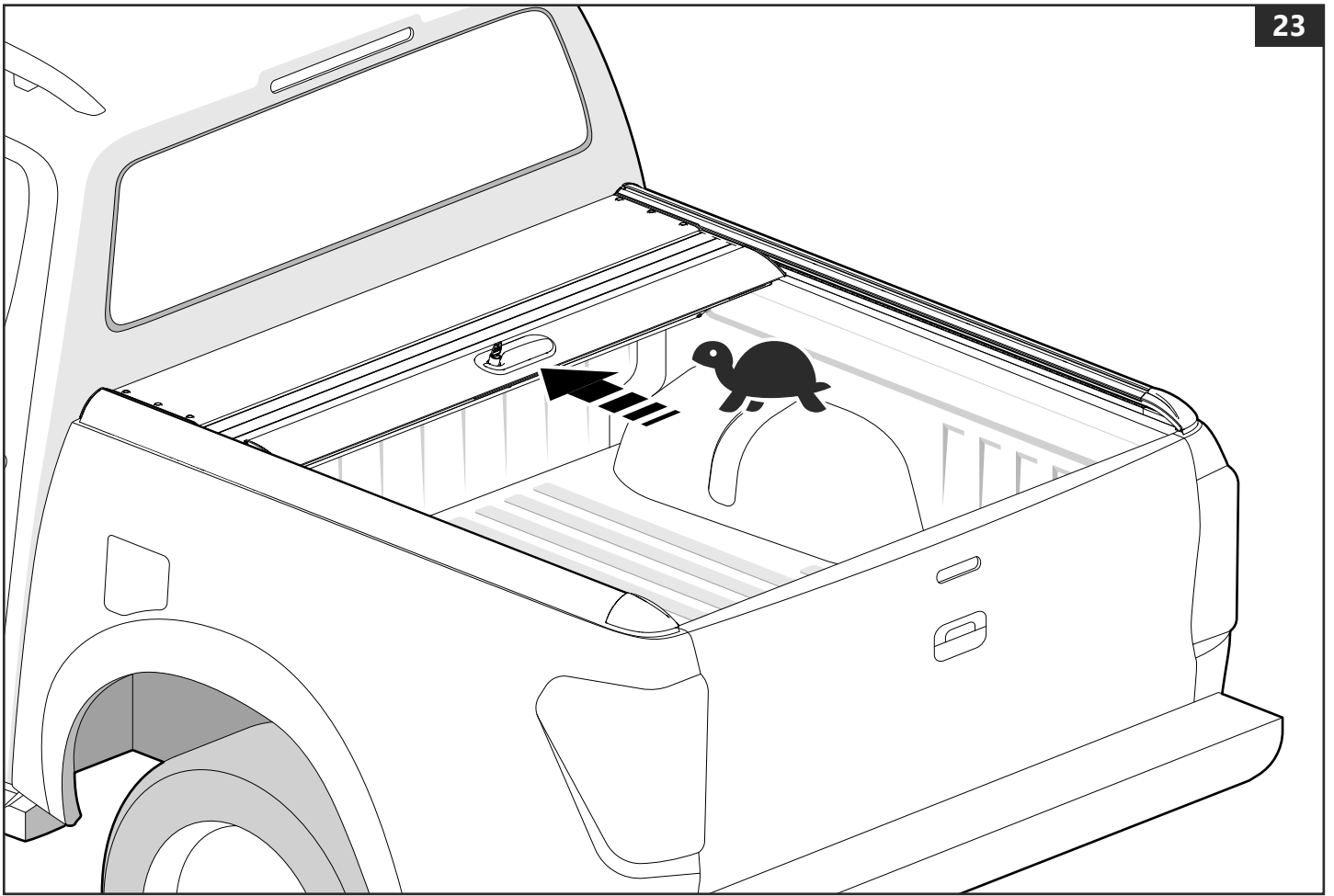


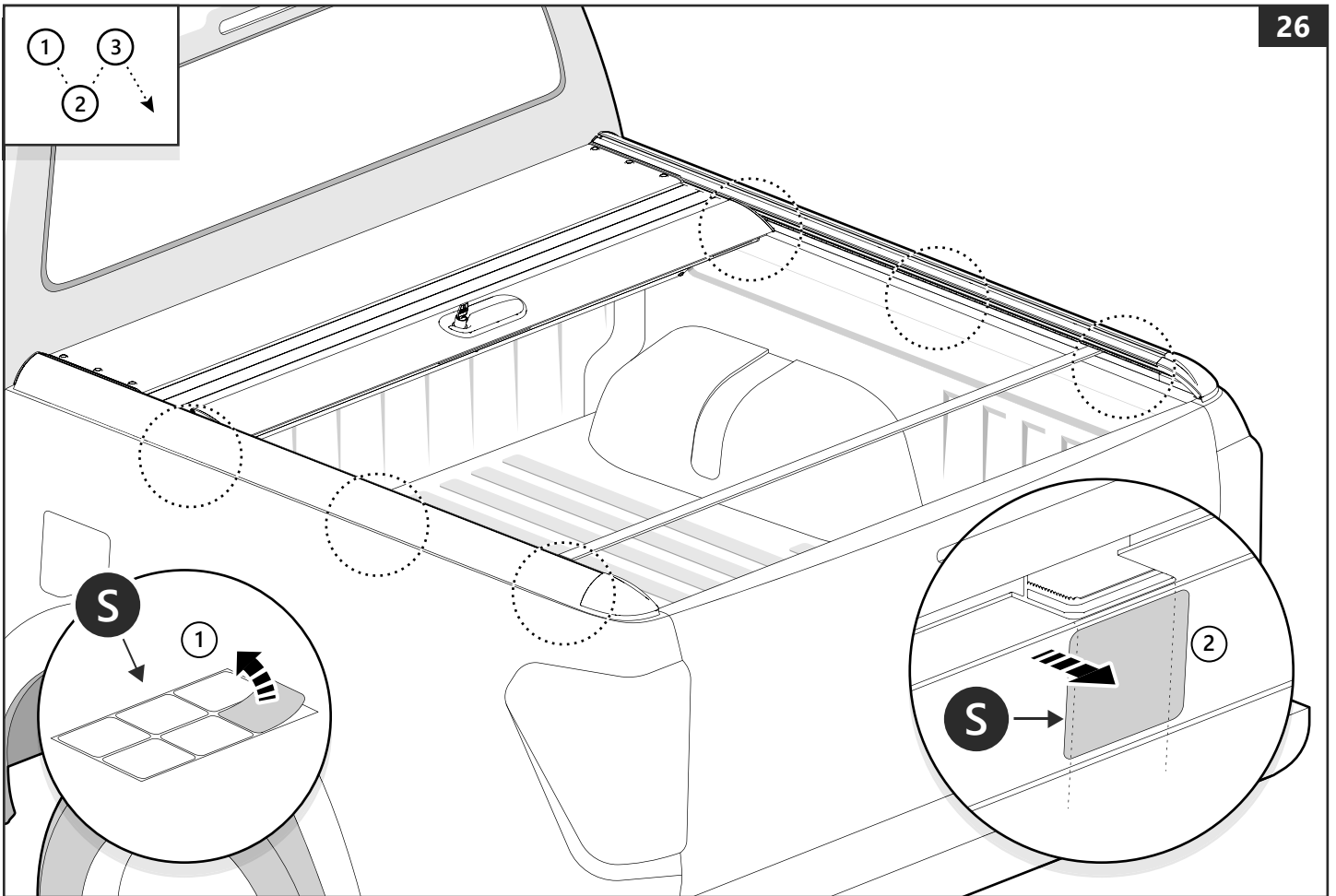
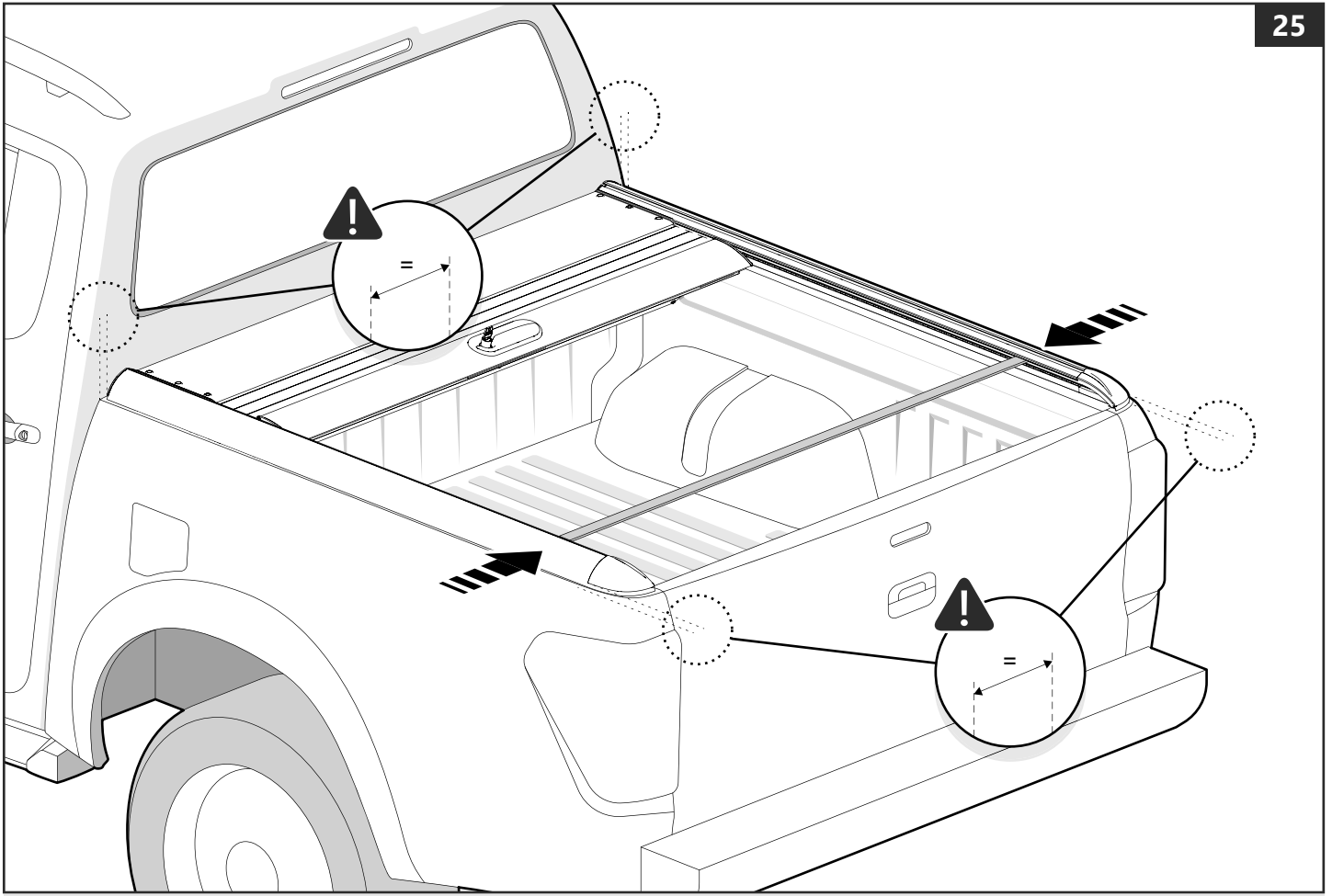


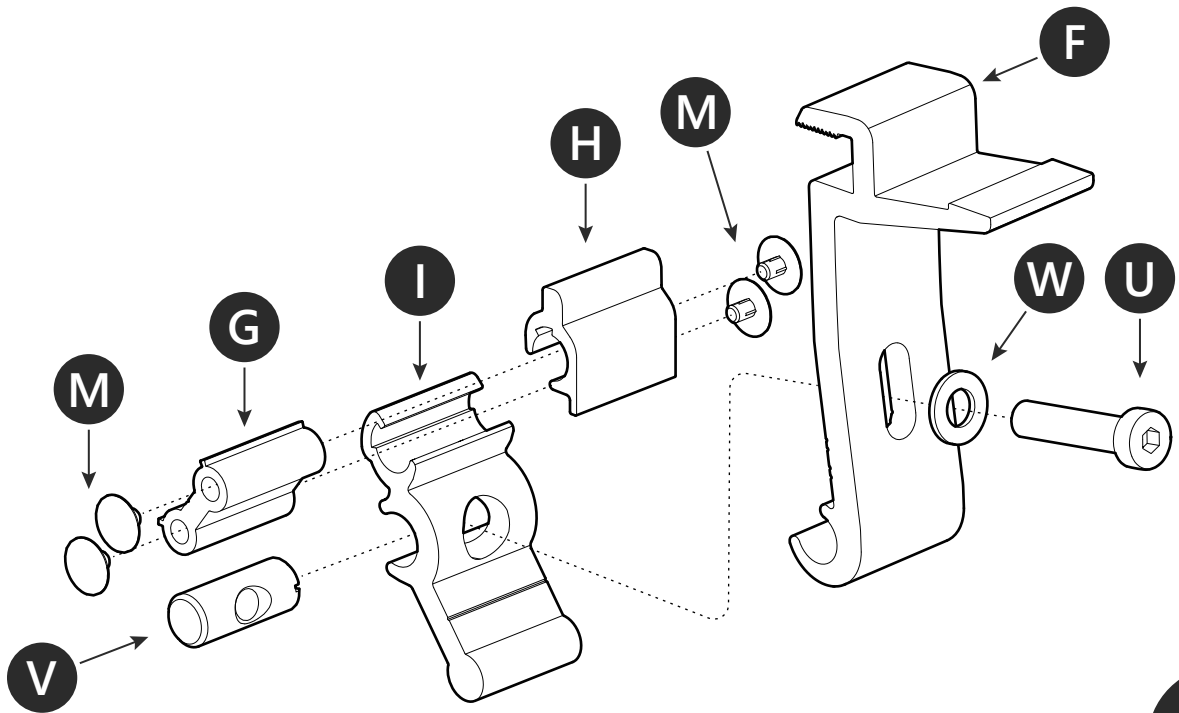




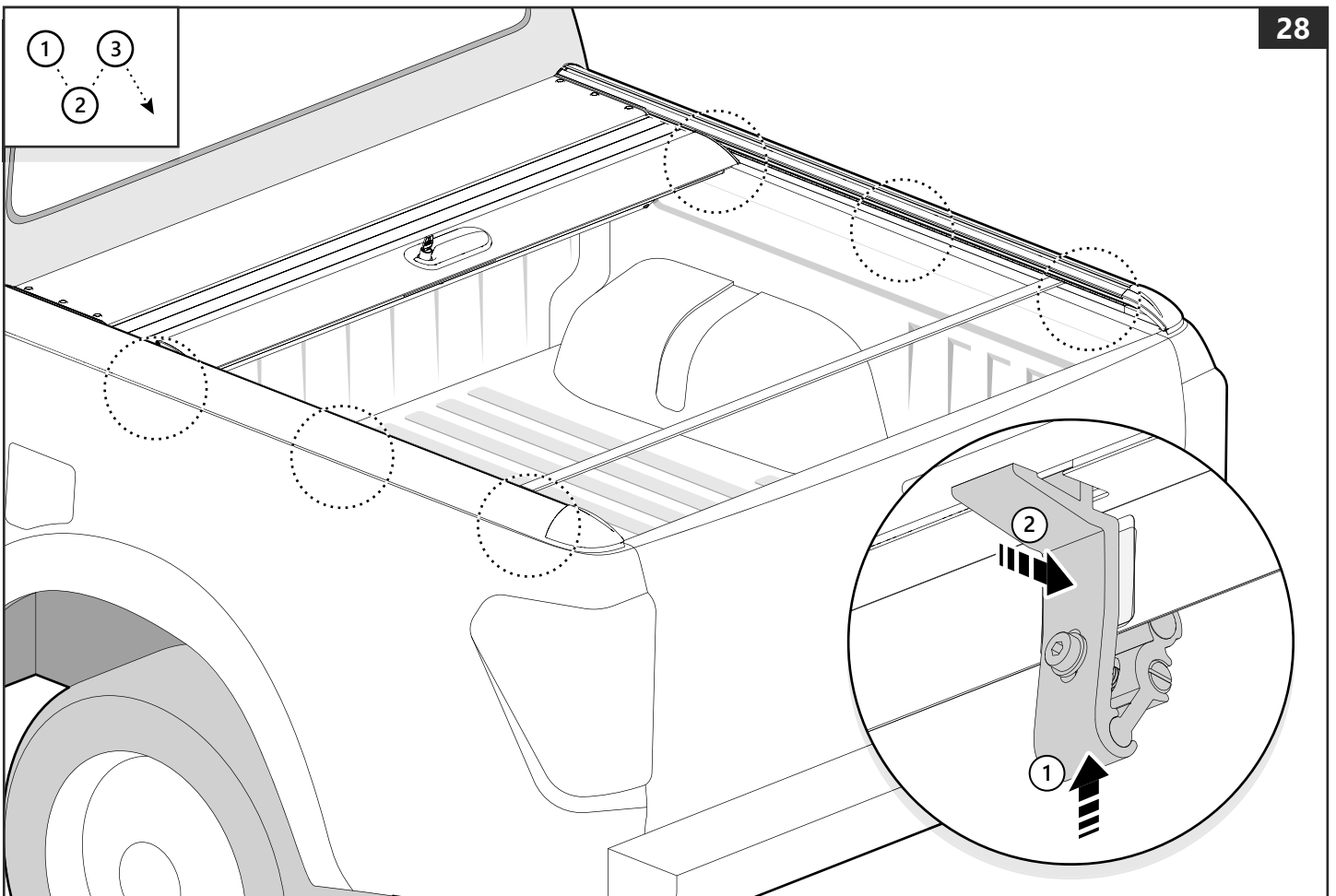


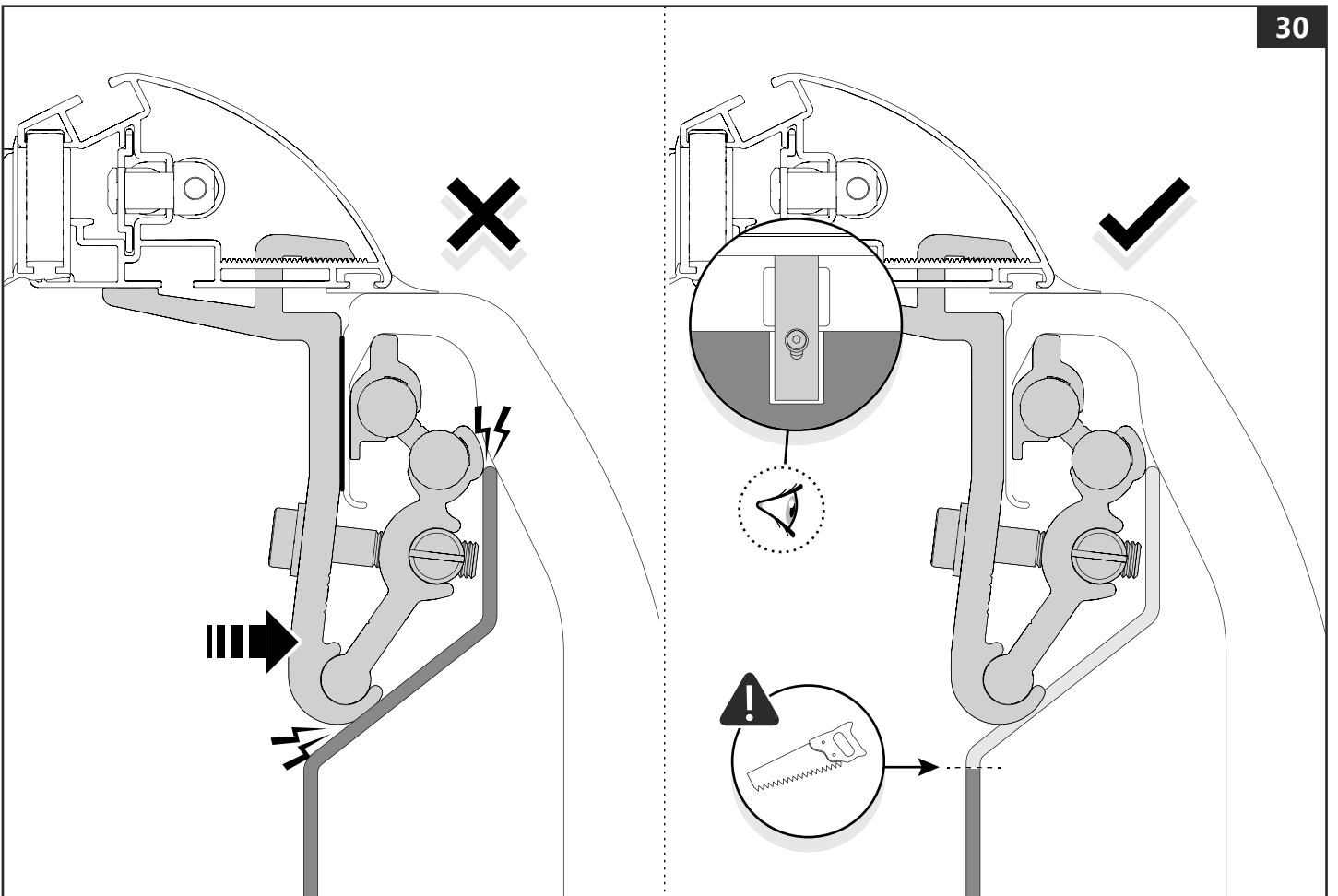
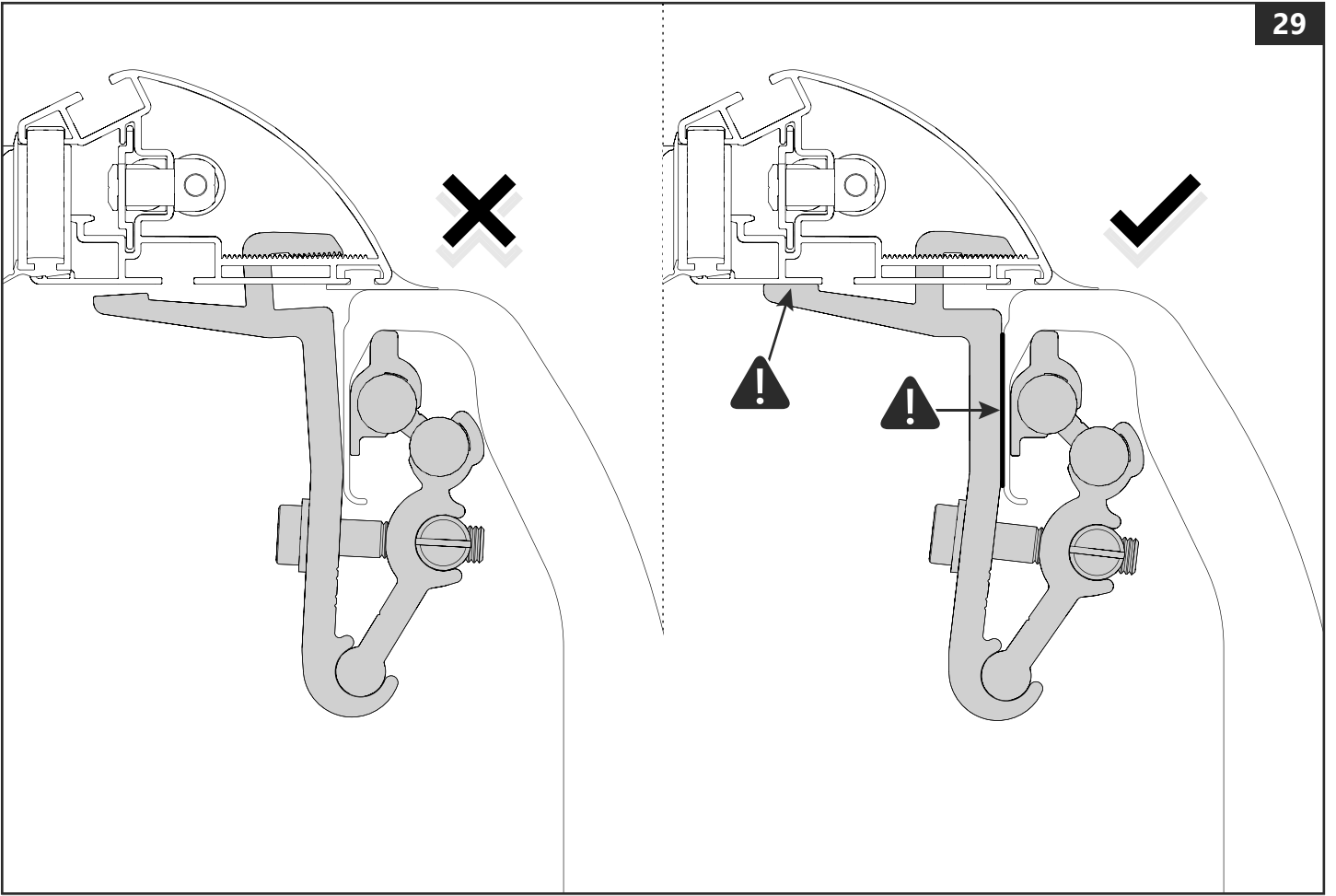


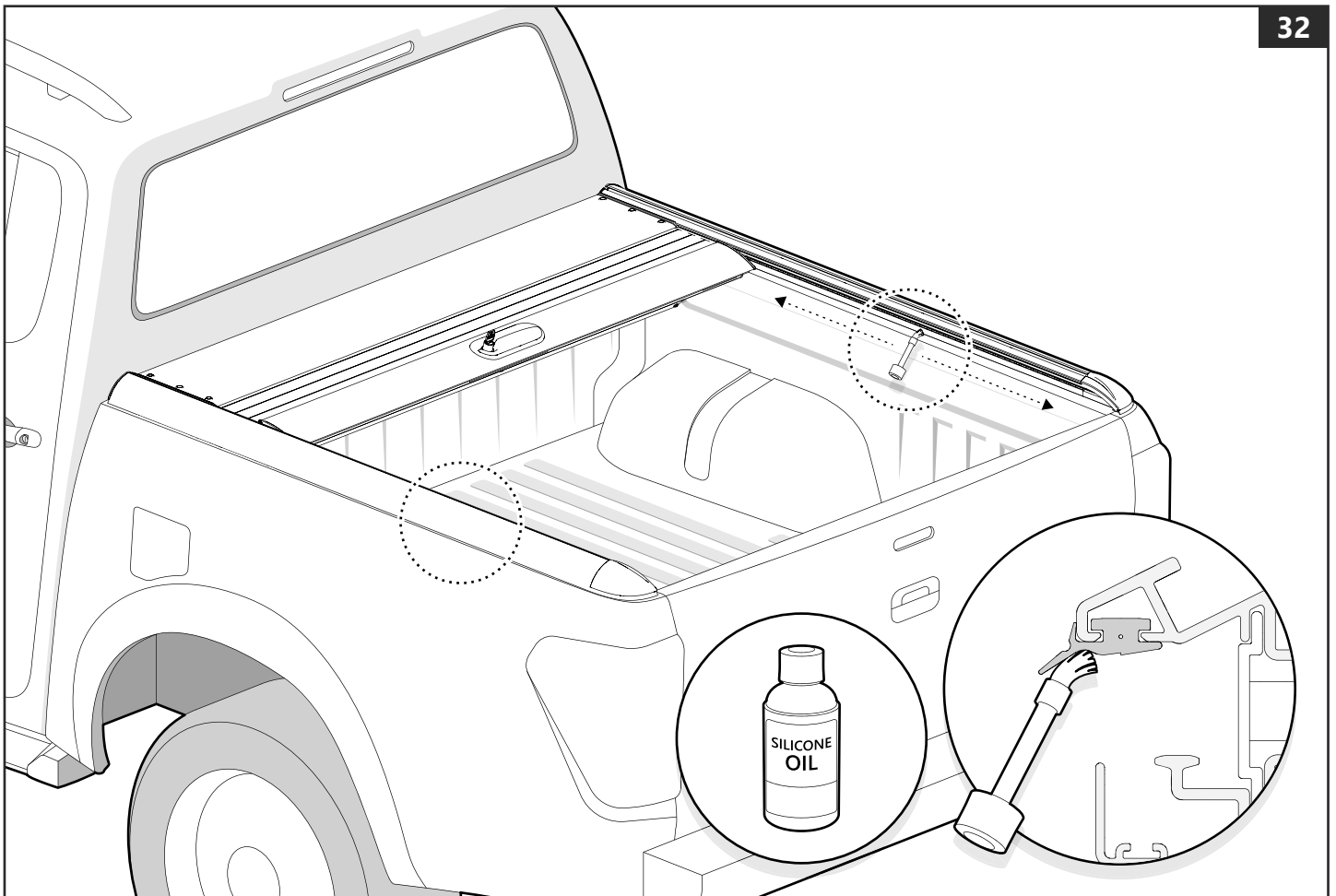
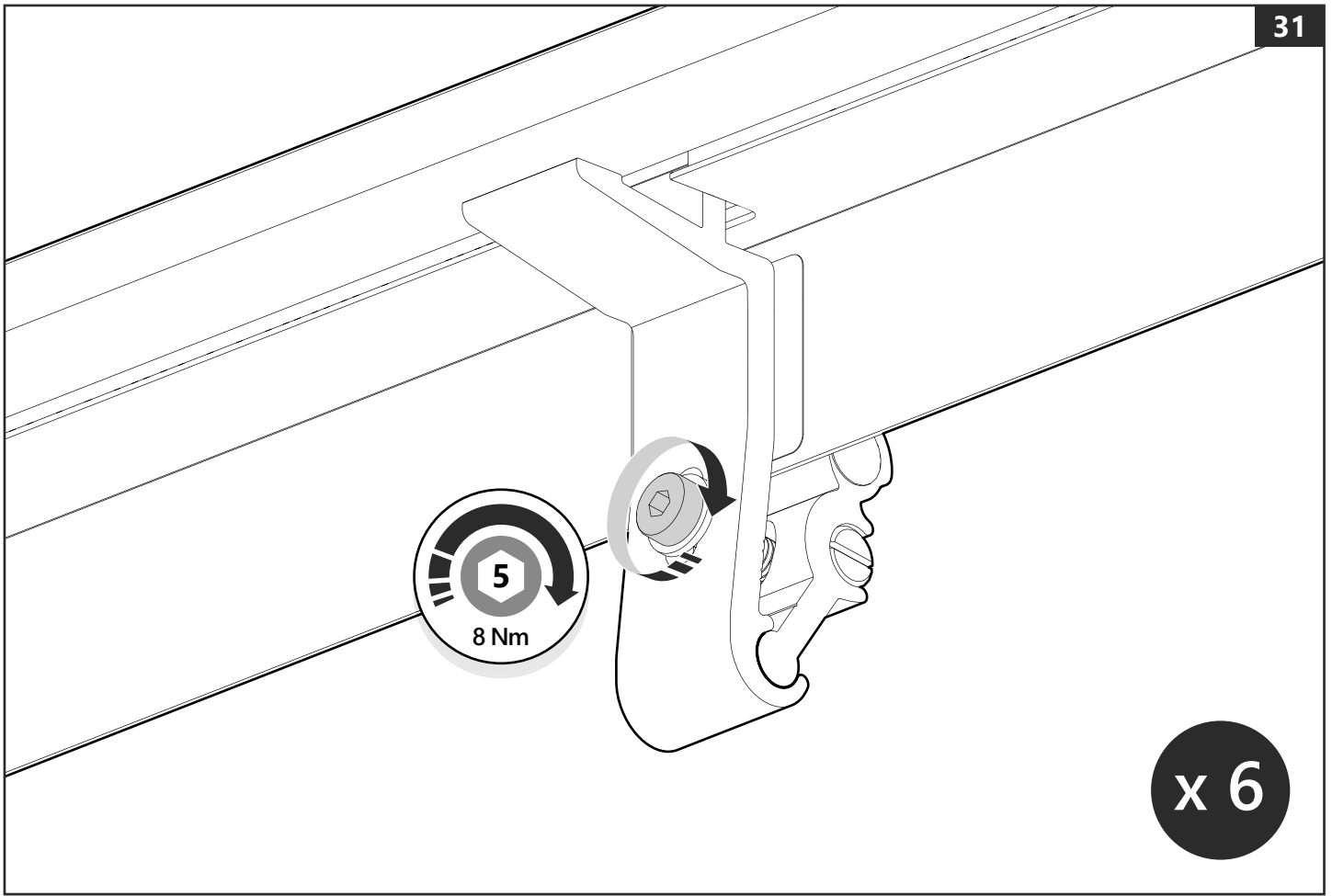


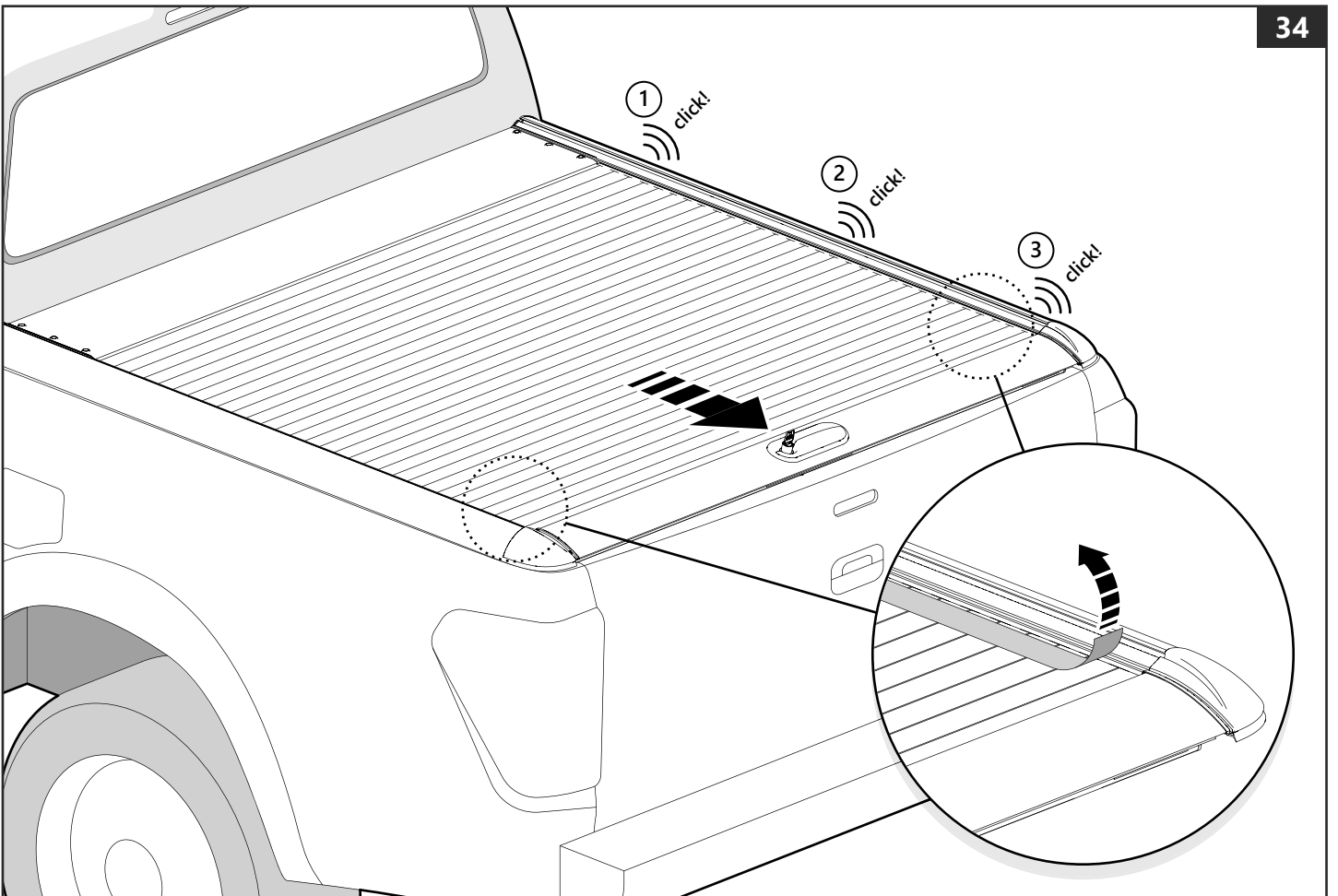
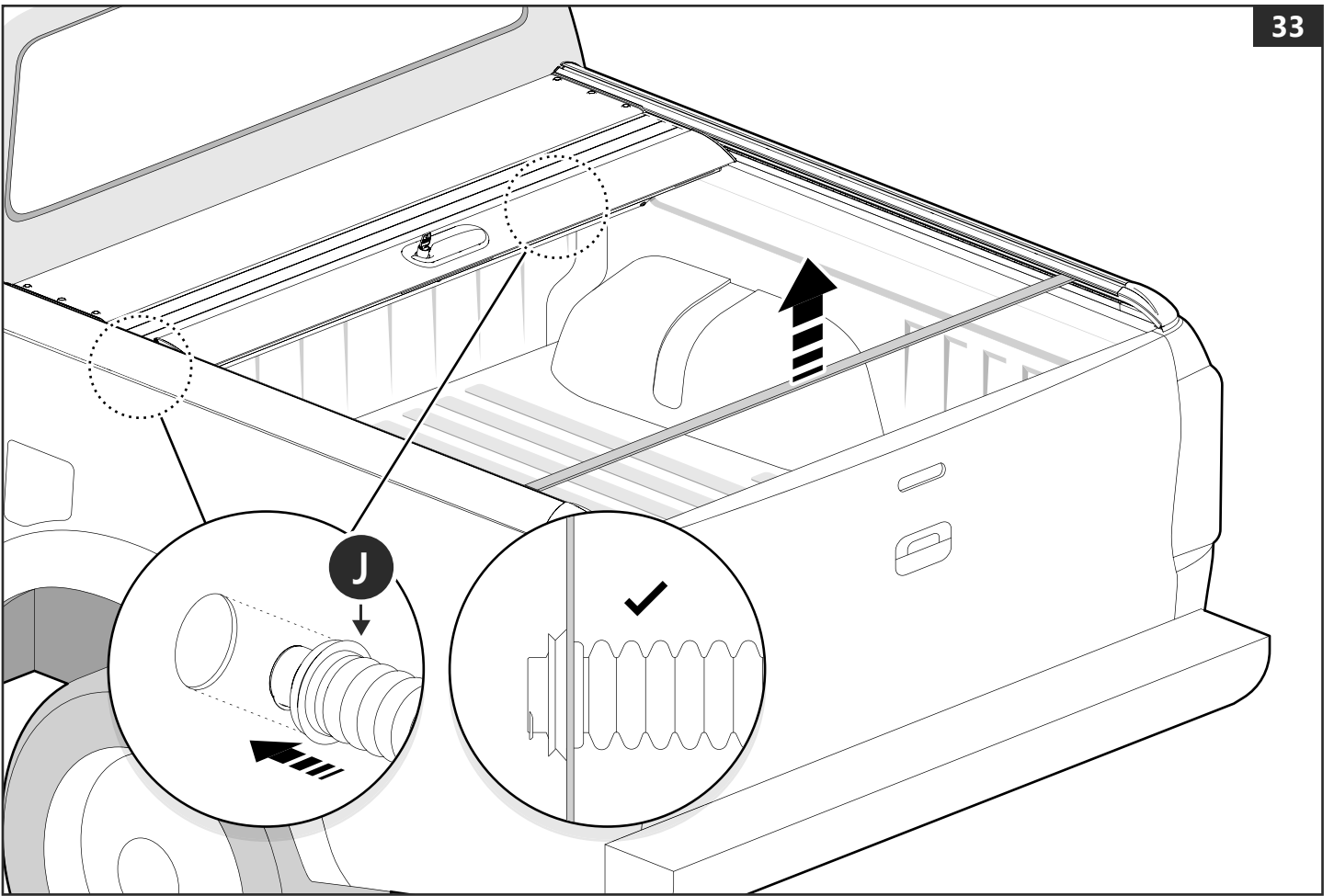


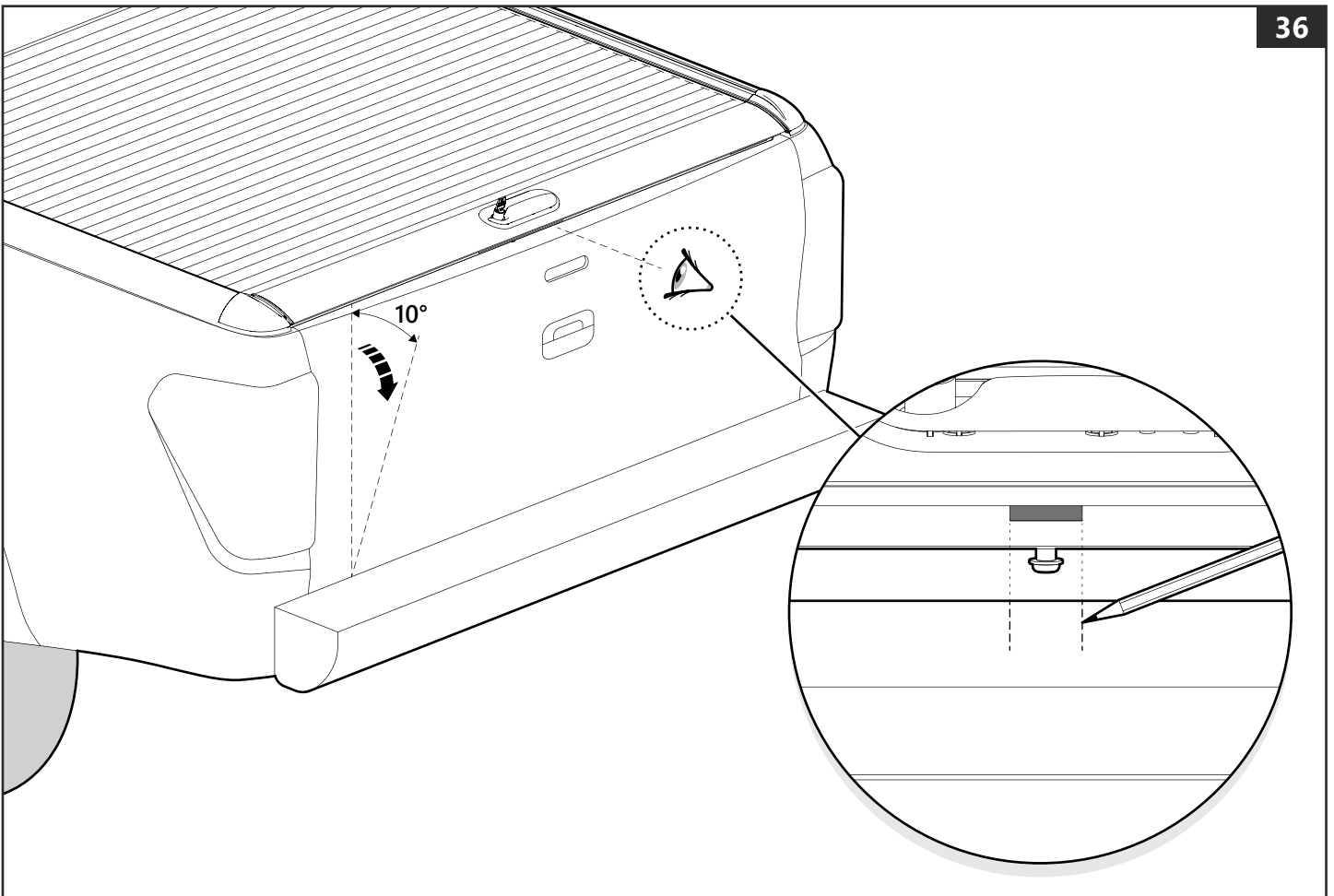
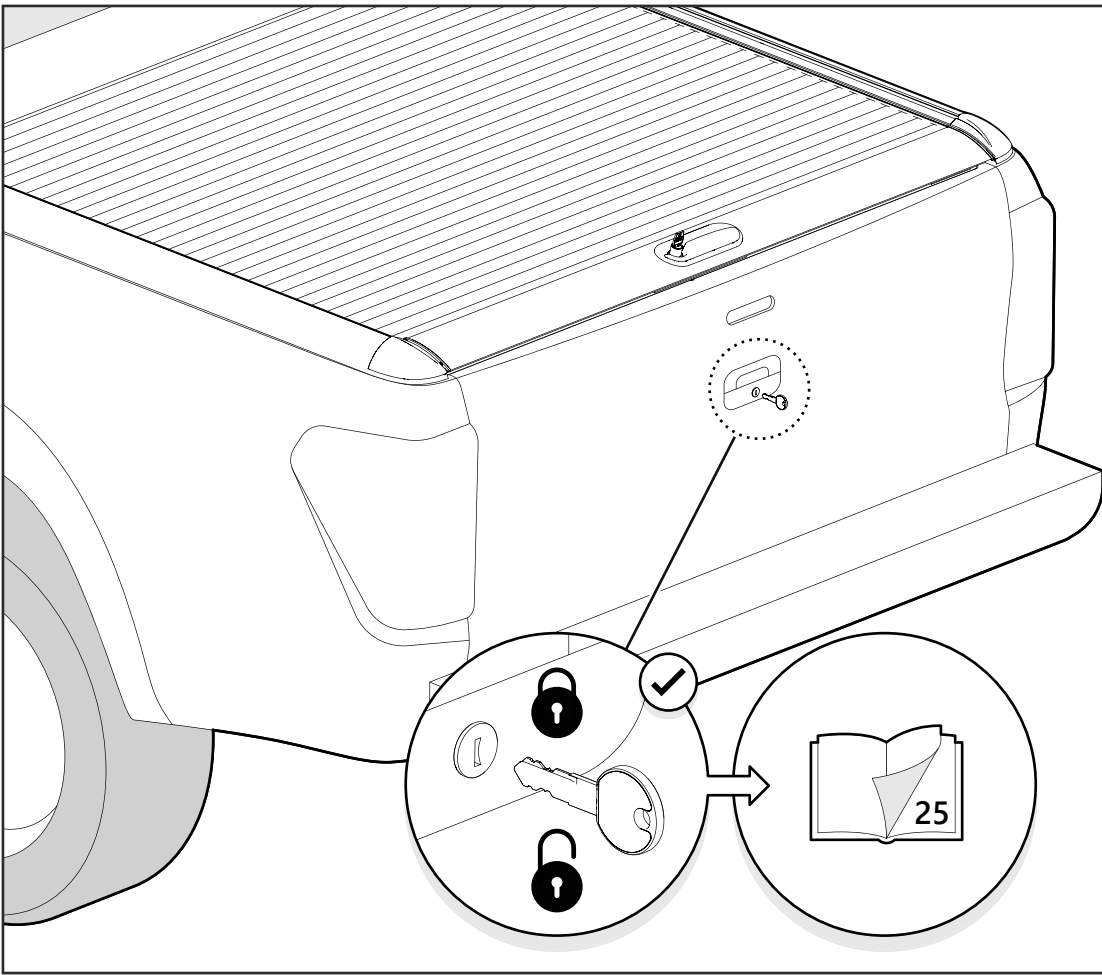
x 6

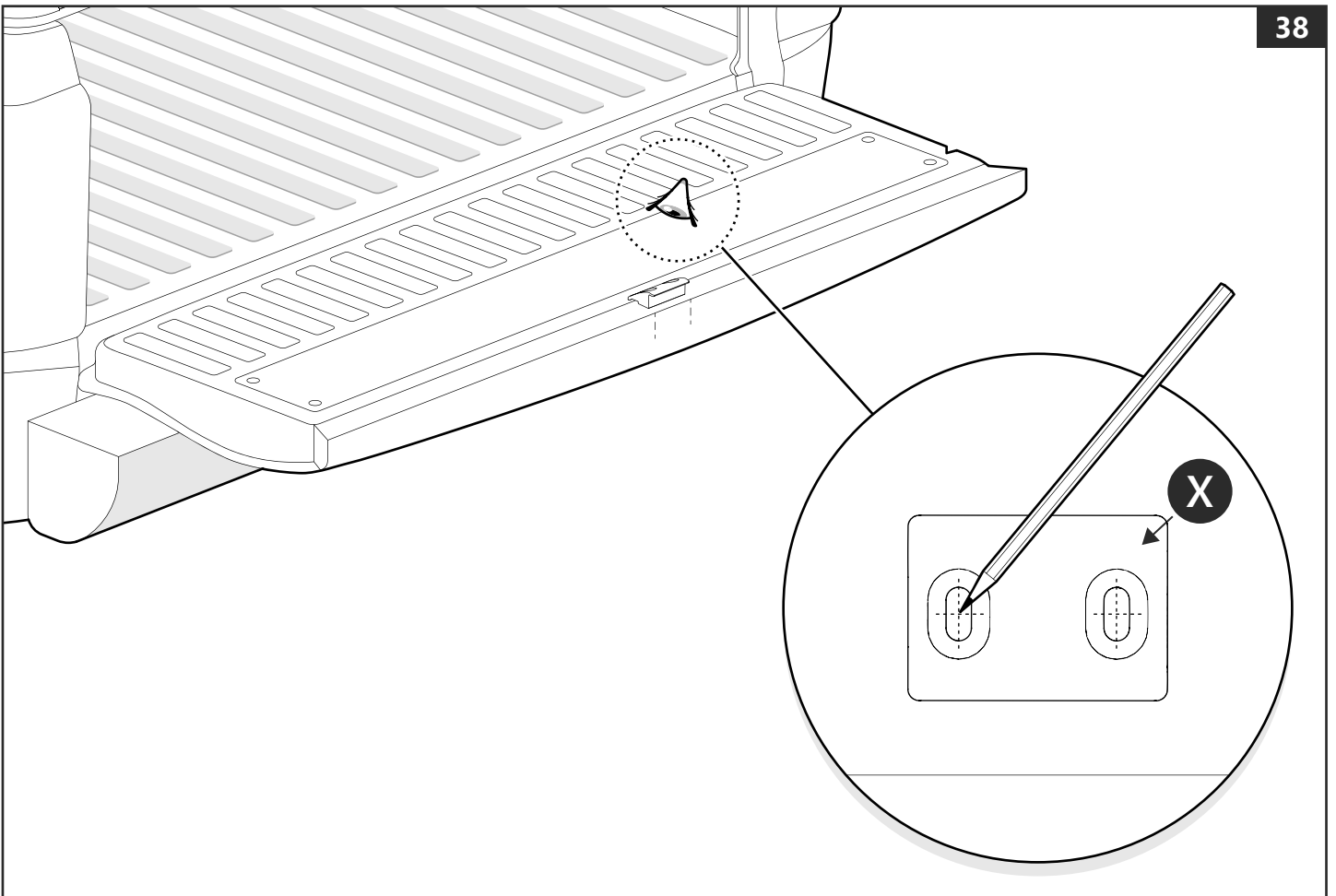
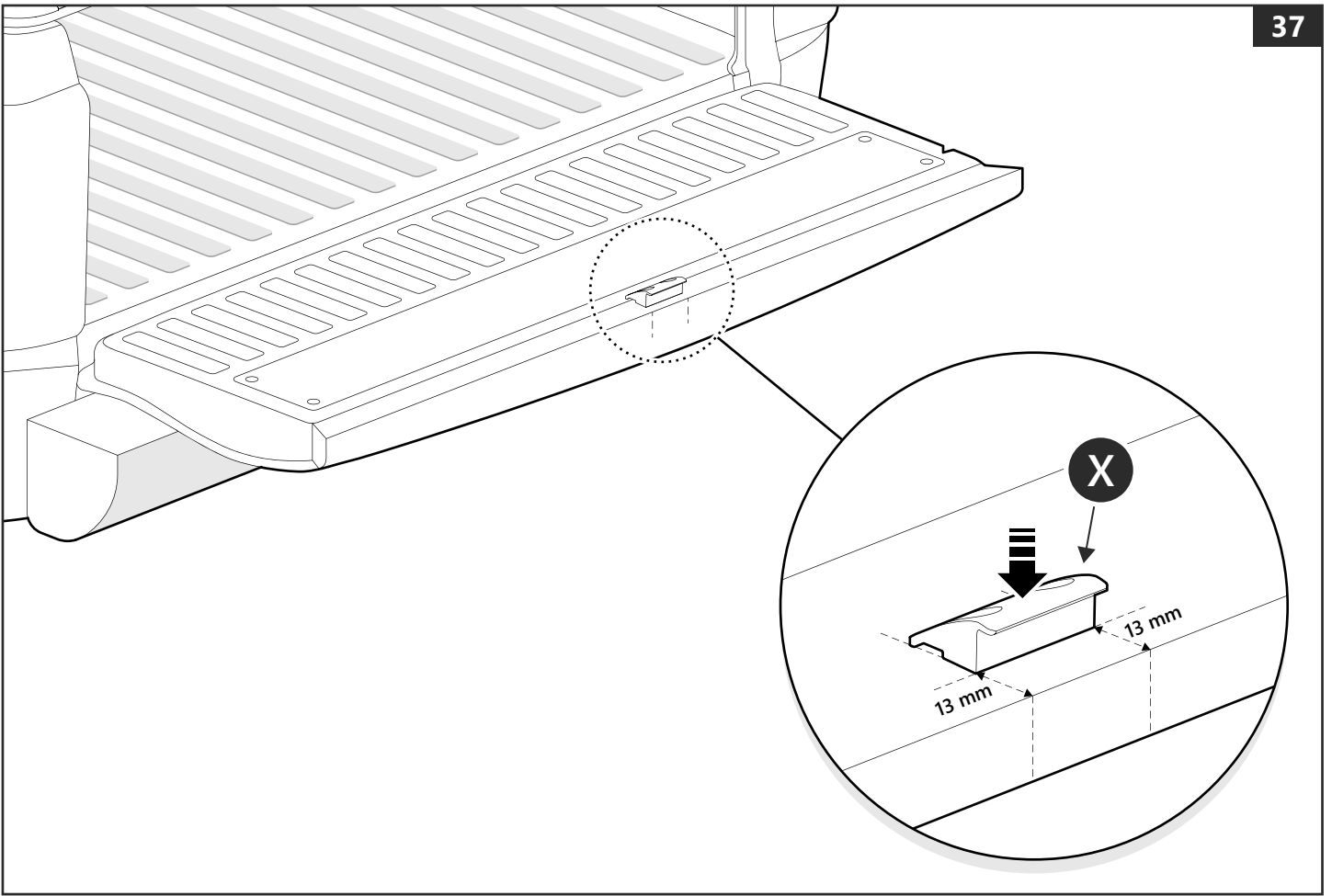


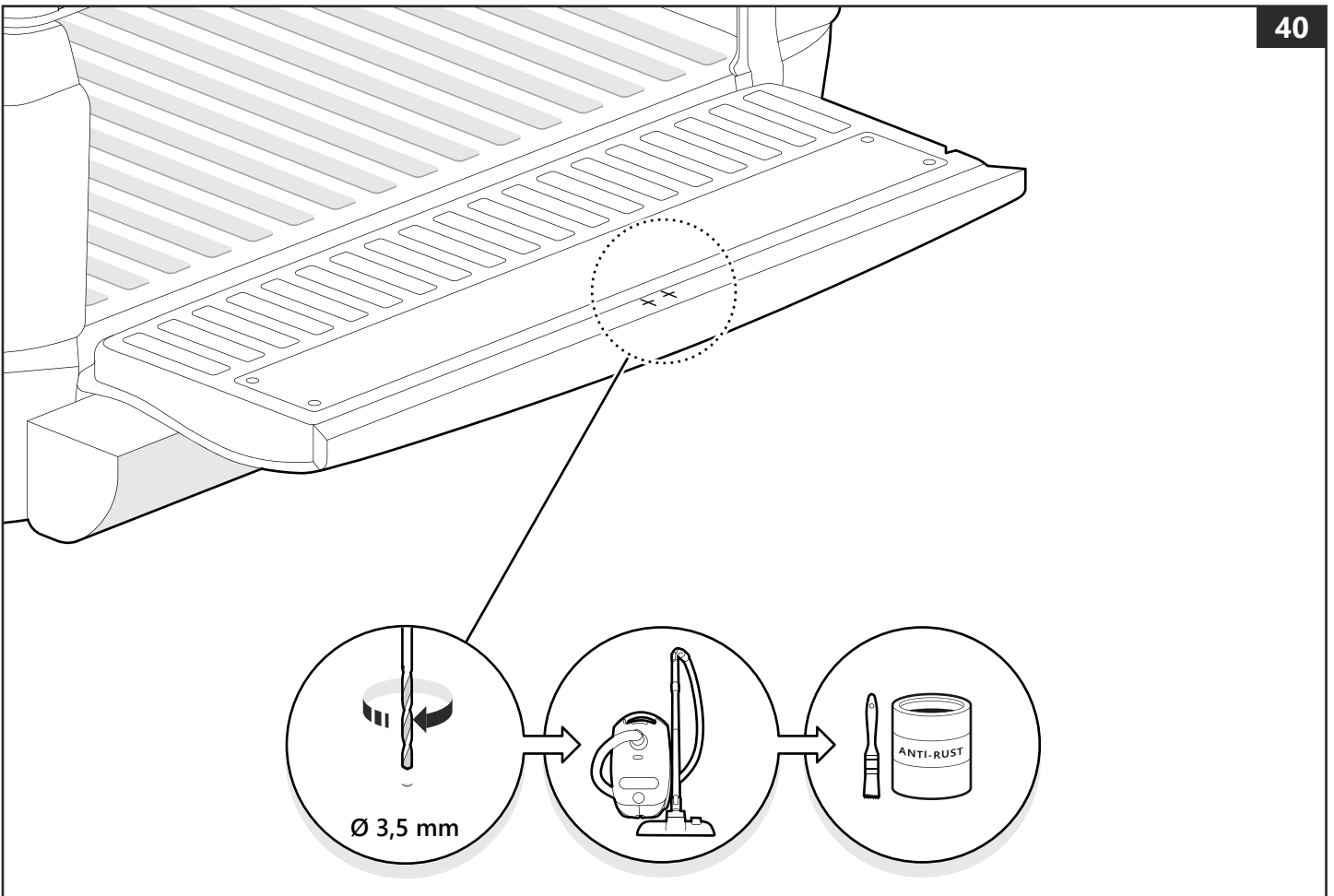
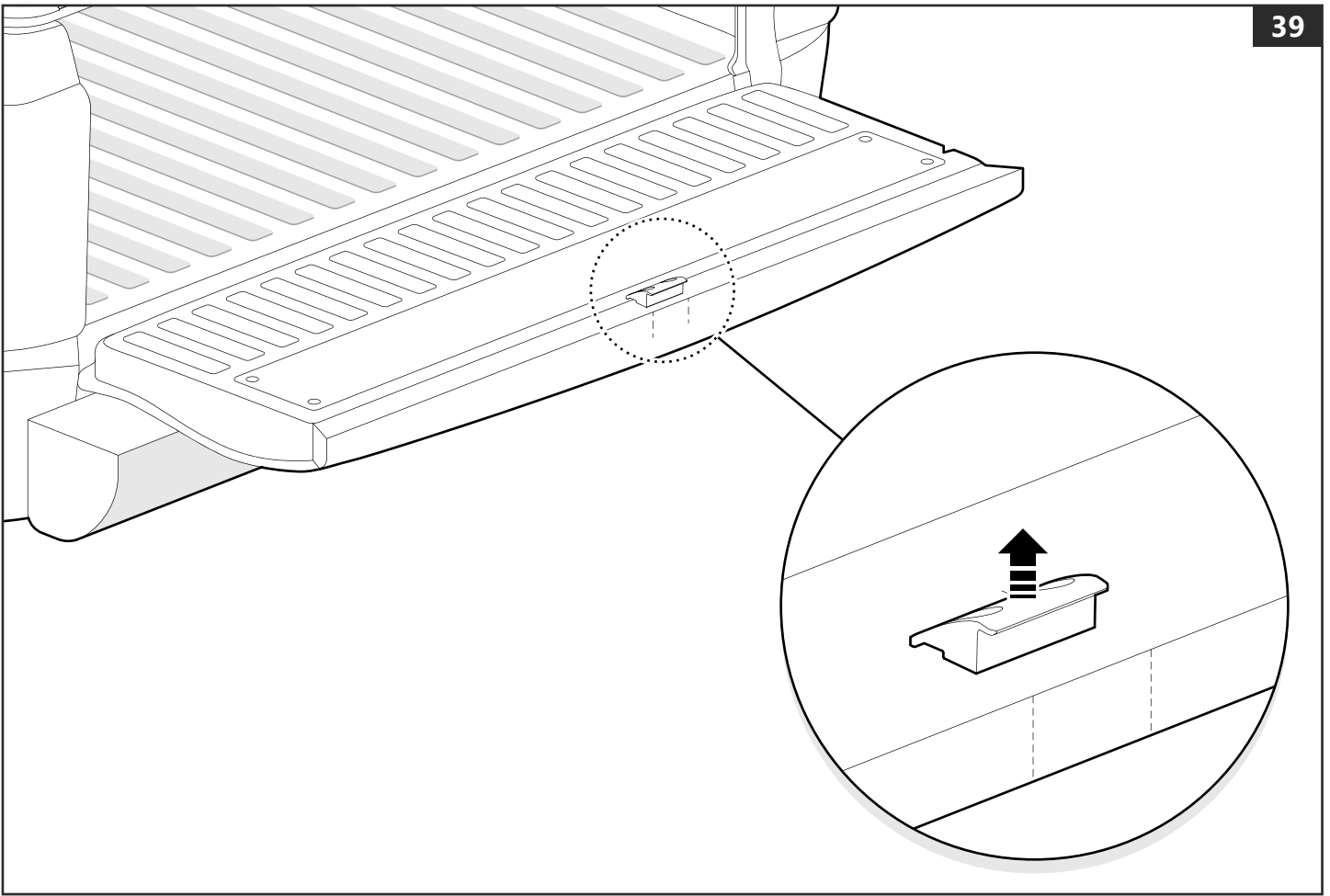


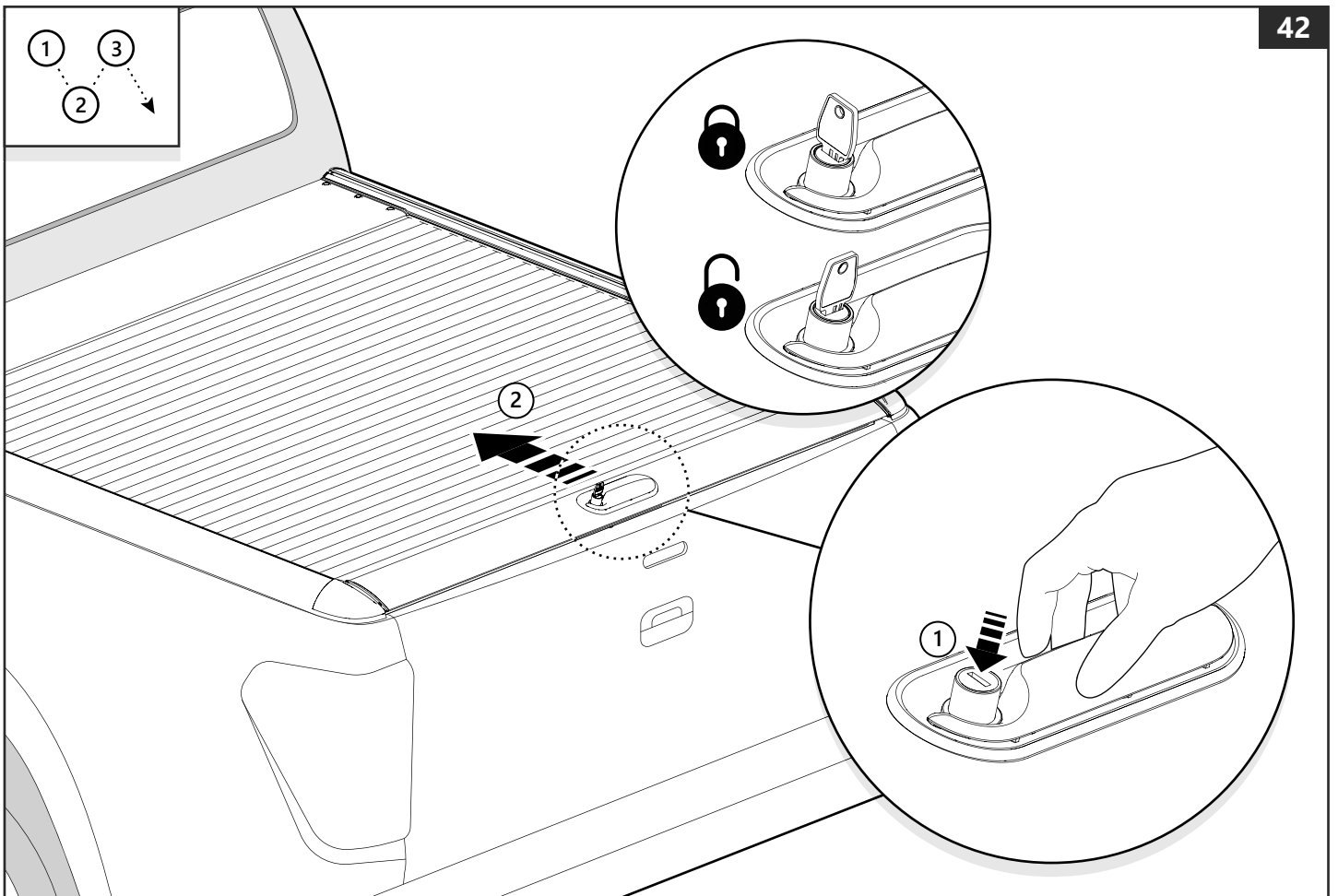
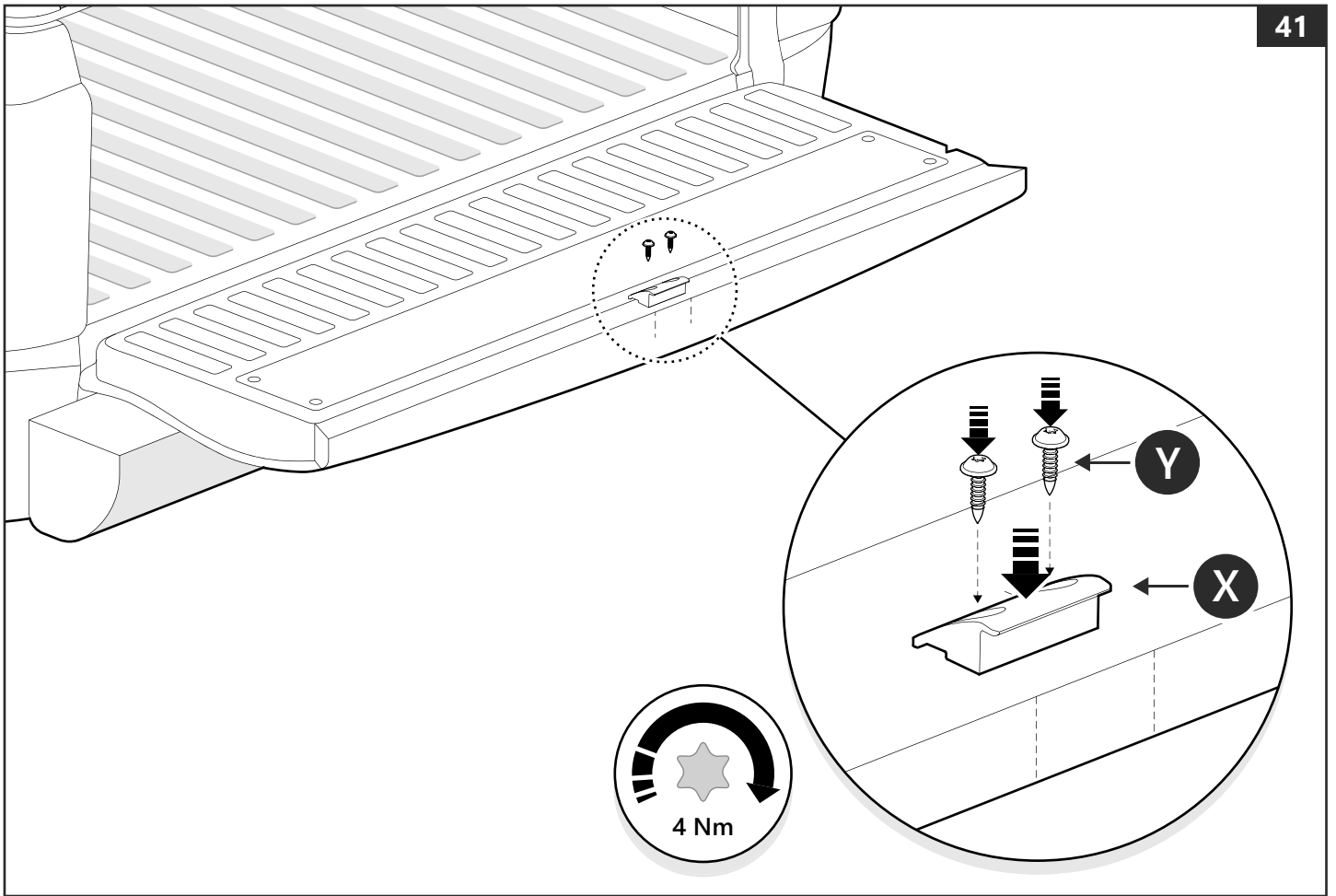


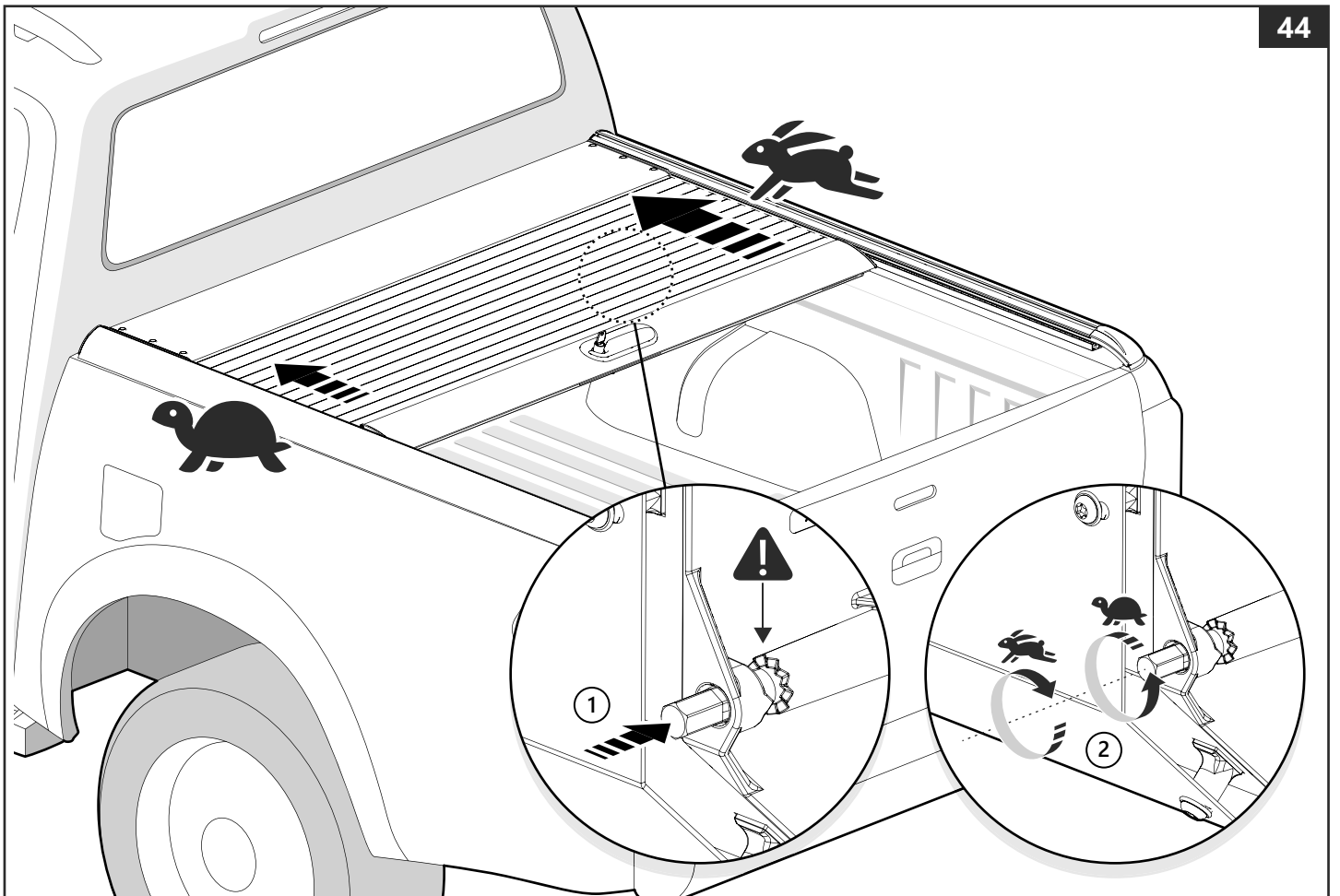
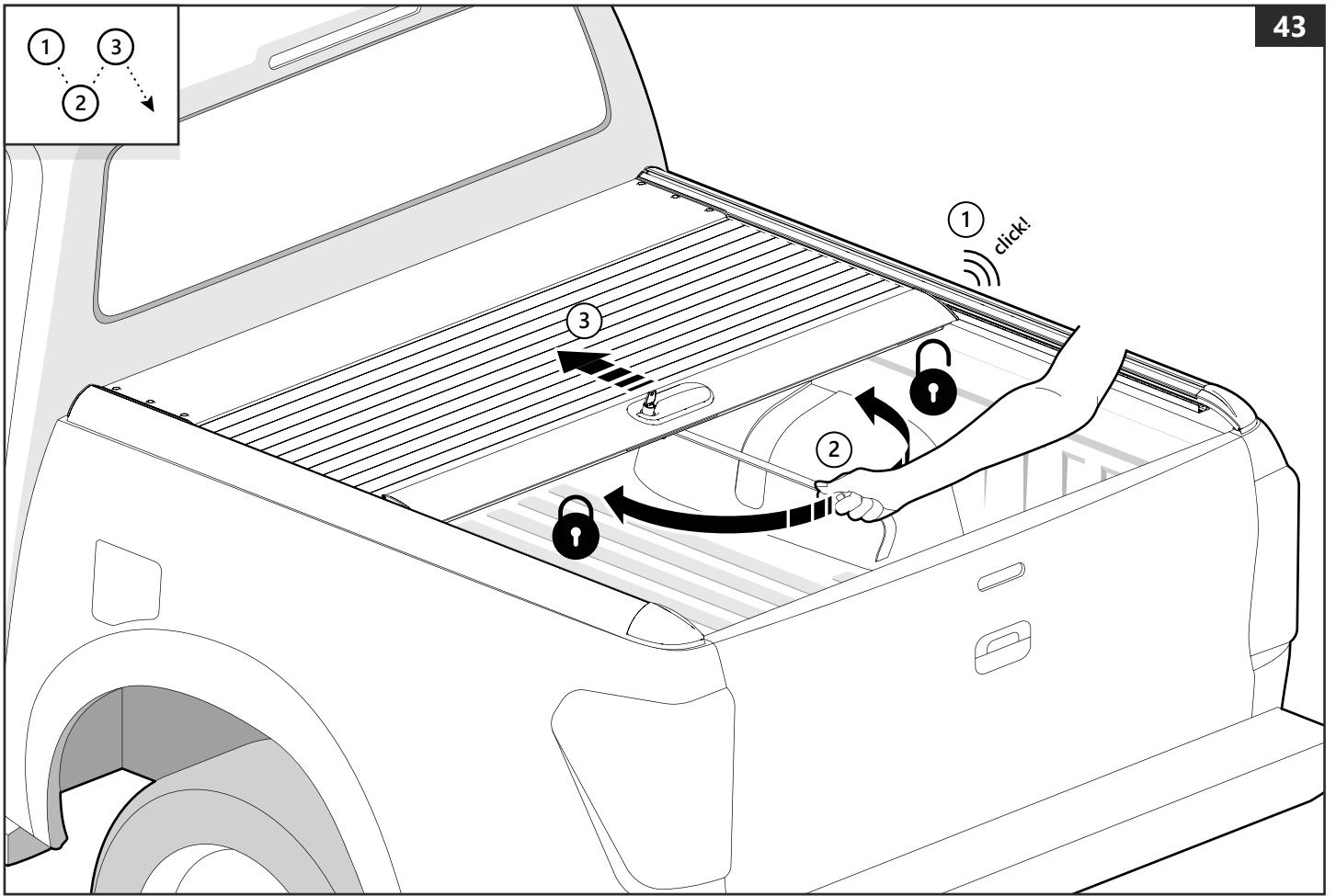


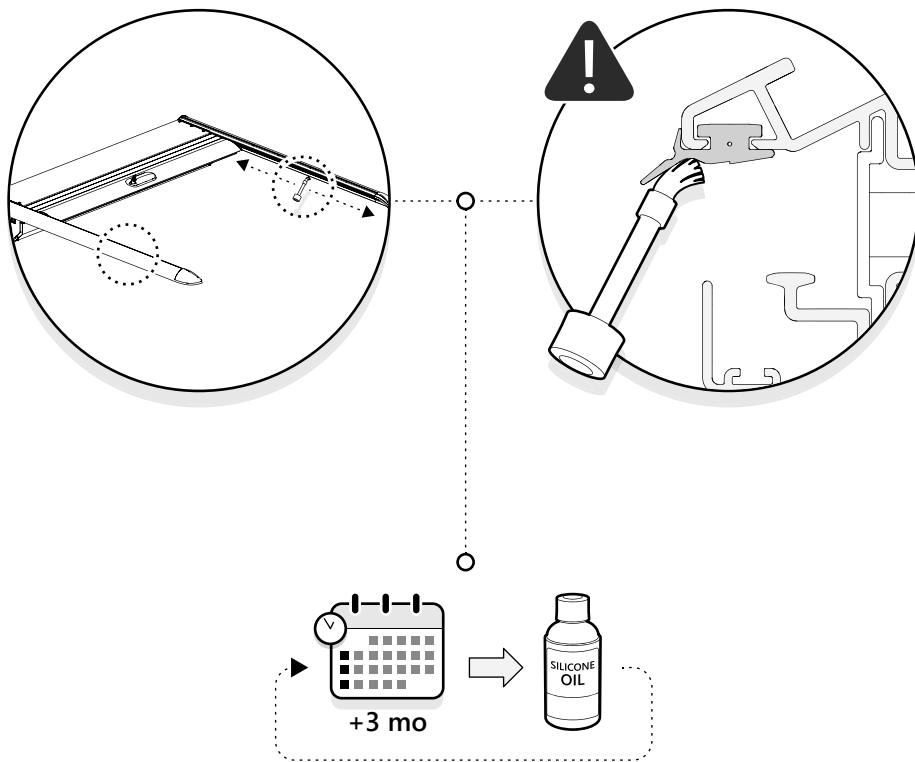
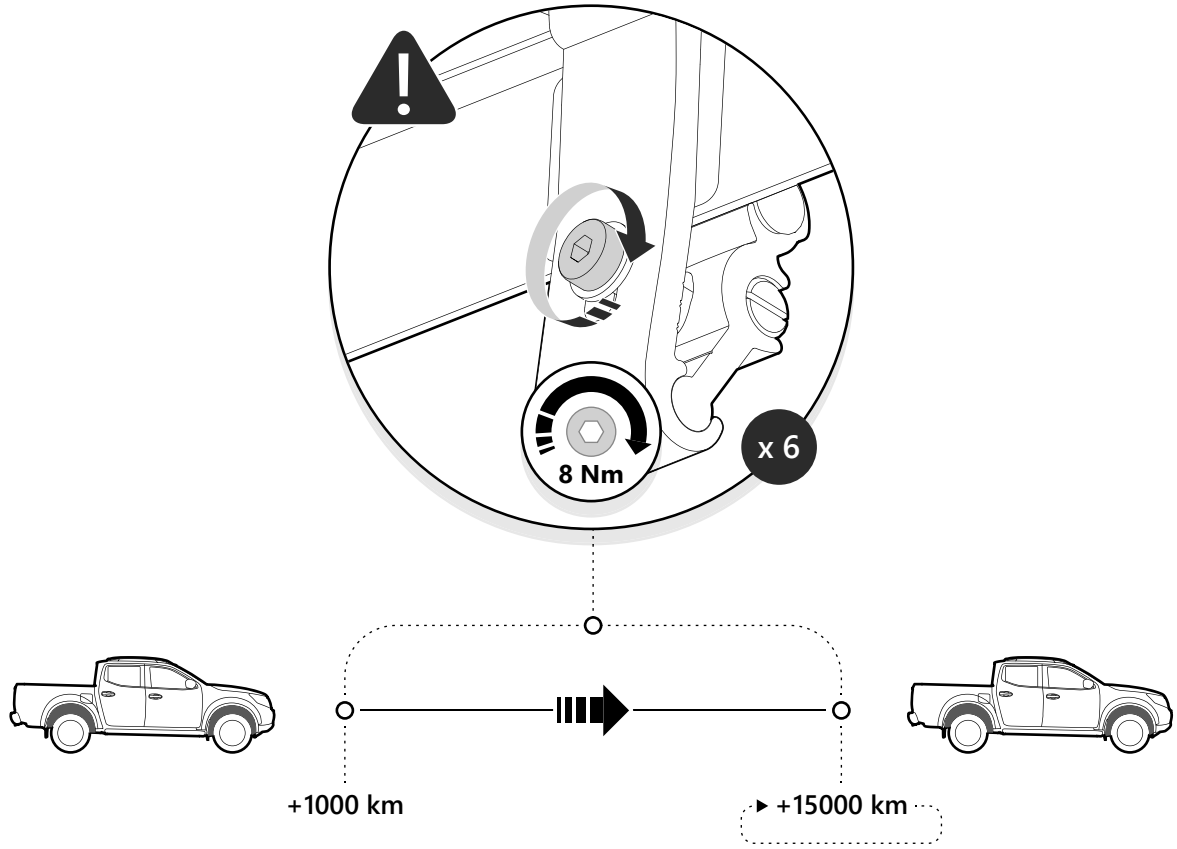














Customer Service +45 4810 2950 (08:00 - 16:00 CET)
Fax +45 4810 2960
Support info@mountaintop.dk
Website www.mountaintop.dk
Address Pedersholmparken 10, 3600 Frederikssund, Denmark

PART NUMBER(S)	MODEL / YEAR	CAB TYPE(S)	INSTALLATION TIME	WEIGHT
MTR TO90/91 / MTRA TO90/91	Toyota / 2015 →	Double / Extra	2 hour(s)	31 - 36 Kg

GB Installation manual	S Monteringsanvisning	D Einbauanleitung
SF Asennusohje	E Instrucciones de montaje	CZ Návod k instalaci
F Notice de montage	H Szerelési utasítás	I Istruzioni de montaggio
PL Instrukcja montażu	P Instruções de instalação	GR Οδηγίες Εγκατάστασης
NL Installatie-instructies	RUS Инструкция по установке	DK Monteringsvejledning
TR Montaj Talimatı	N Monteringsveiledning	RO Instructiuni de instalare