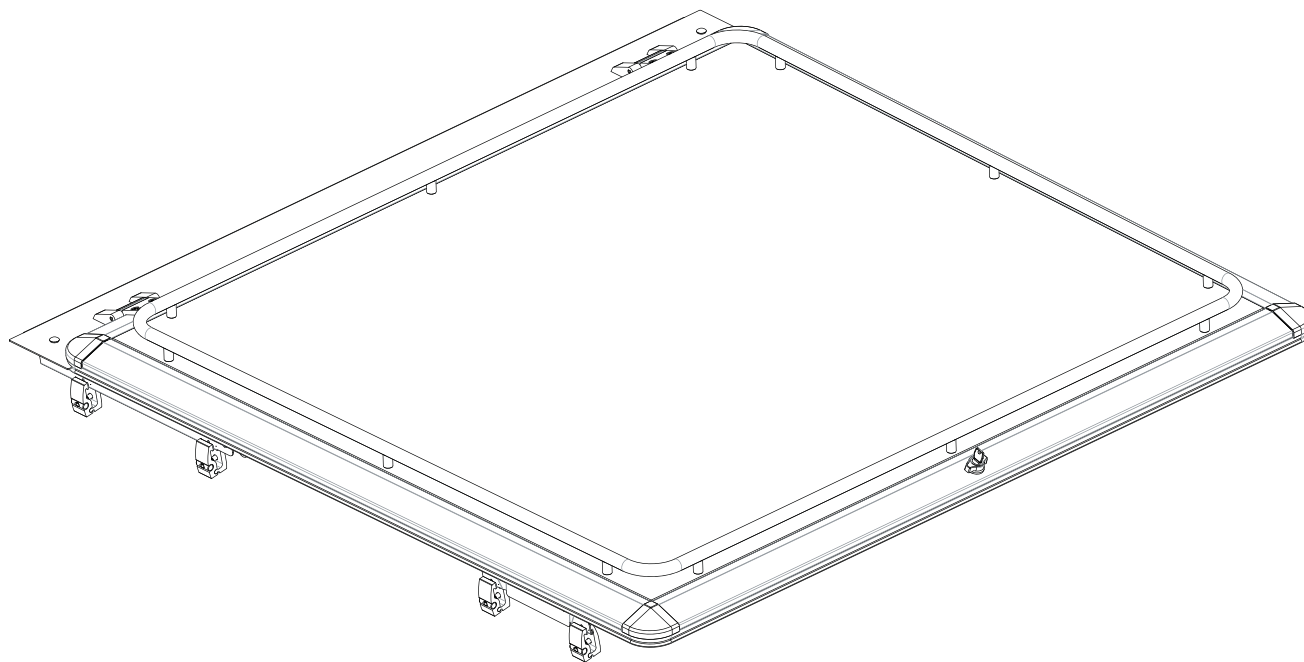


FORD RANGER

Tonneau Cover Installation Instructions



Model Year: 2011 →

Part Number: MT FO 90A Double cab
MT FO 91A Rap cab
MT FO 92A Single cab



Weight: 38 / 50 kg



Installation Time: 1 hr

MTI-number
882 065

Issue
02

Date
16-04-2012

MT FO 90/1/2 A

Page
1/13

Pedersholmparken 10

3600 Frederikssund

Denmark

ph: +45 4810 2950

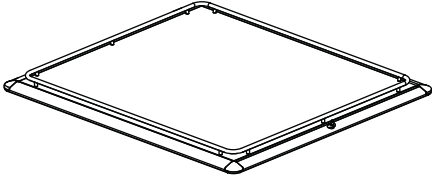

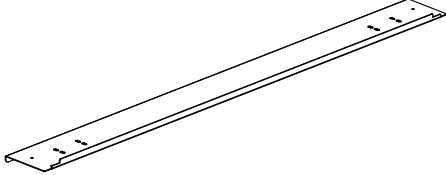

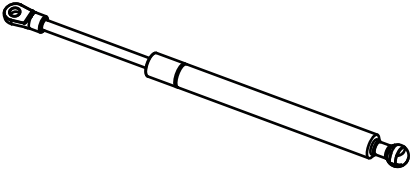
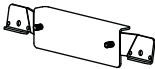
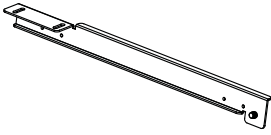

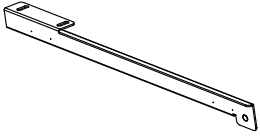

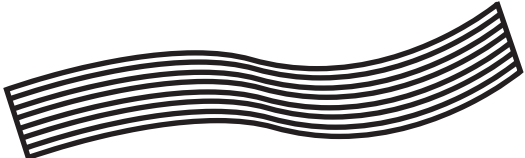


Fax +45 4810 2960

www.mountaintop.dk

FORD RANGER

Tonneau Cover Installation Instructions




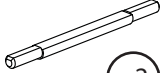



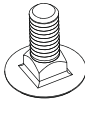



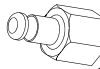


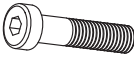
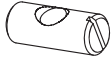



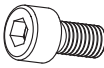
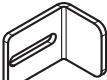





 <p>A</p> <p>(x 1)</p>	 <p>G1</p> <p>(x 8)</p>	
 <p>B</p> <p>(x 1)</p>	 <p>G2</p> <p>(x 8)</p>	
 <p>C</p> <p>(x 2)</p>	 <p>H</p> <p>(x 2)</p>	
 <p>D</p> <p>(x 1)</p>	 <p>I</p> <p>(x 2)</p>	
 <p>E</p> <p>(x 1)</p>	 <p>J</p> <p>(x 1)</p>	
 <p>F</p> <p>(x 2)</p>	 <p>TÜV</p> <p>(x 1)</p>	 <p>Installation Manual</p> <p>(x 1)</p>

FORD RANGER

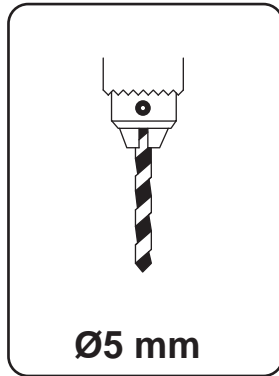
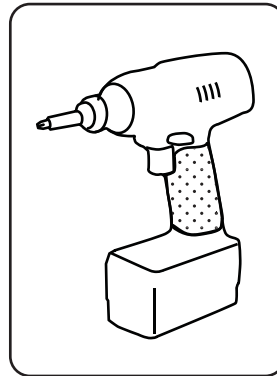
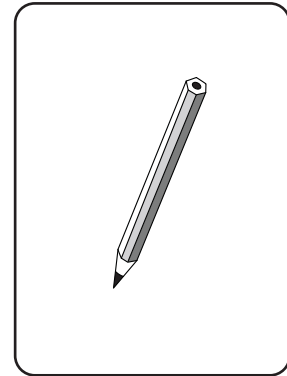
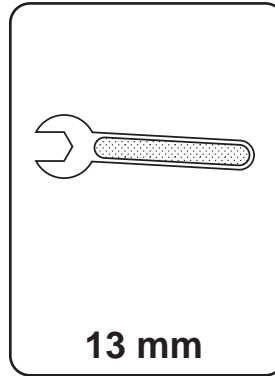
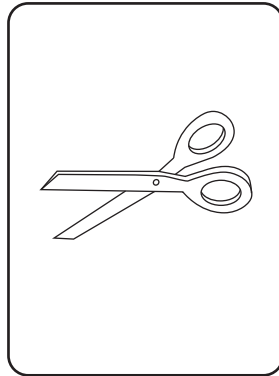
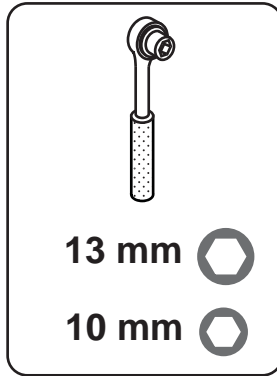
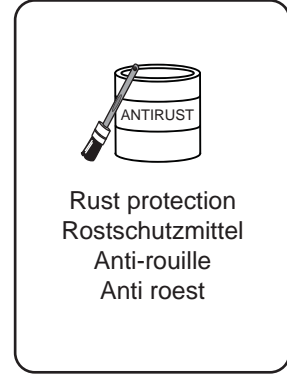
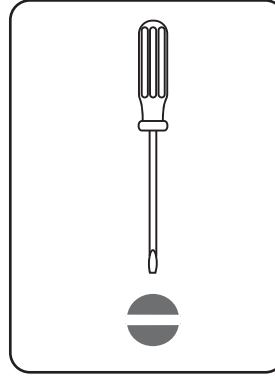
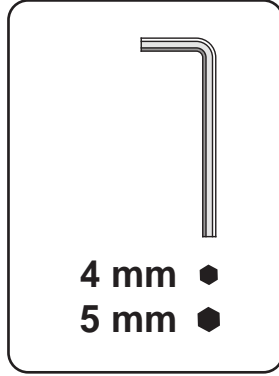
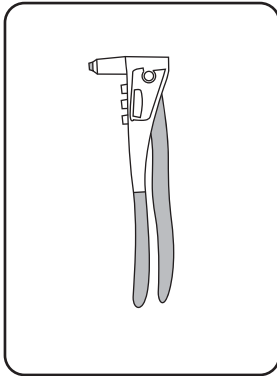
Tonneau Cover Installation Instructions



	U  x8	V  x4	X  x2	Y  x8	Z  x4	
	K  x4	L  x8	M  x4	N  x8	O  x2	P  x2
	G3  x8	G4  x8				
	R1  x2	R2  x4	R3  x4	R4  x2	R5  x4	
	W  x1					

FORD RANGER

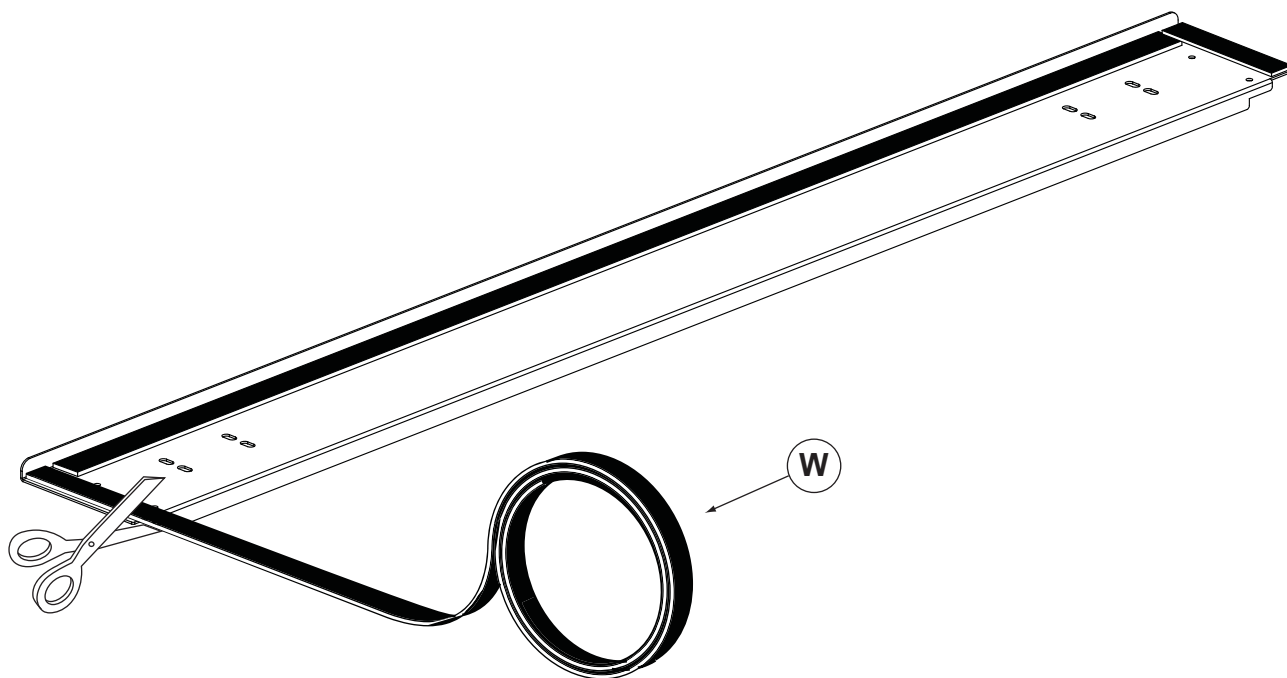
Tonneau Cover Installation Instructions





Tonneau Cover Installation Instructions

1.1

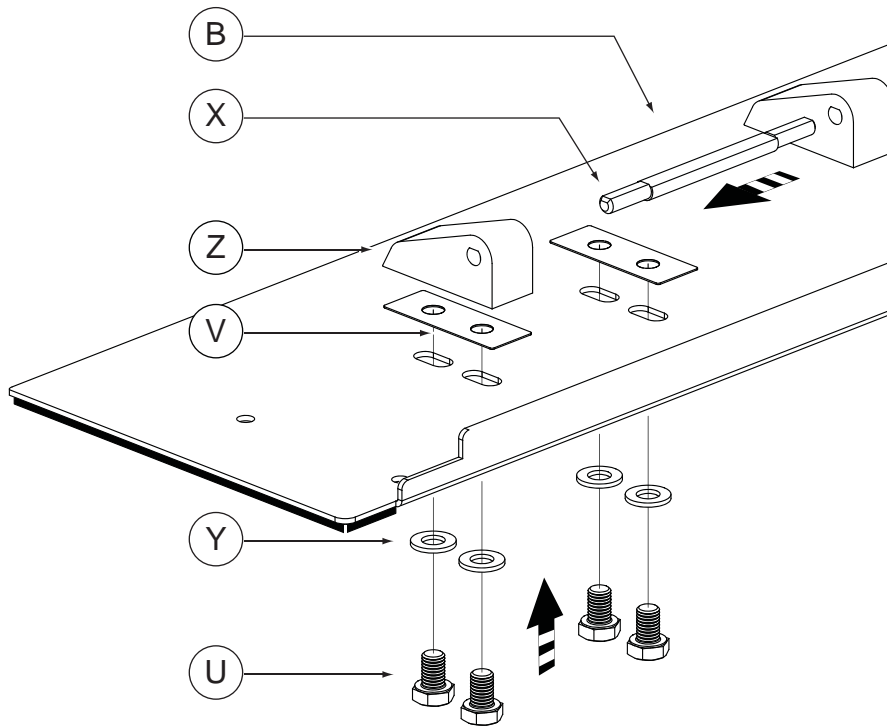


MTI-number 882 065	Issue 02	Date 16-04-2012	MT FO 90/1/2 A	Page 5/13	
Pedersholmparken 10	3600 Frederikssund	Denmark	ph: +45 4810 2950	Fax +45 4810 2960	www.mountaintop.dk

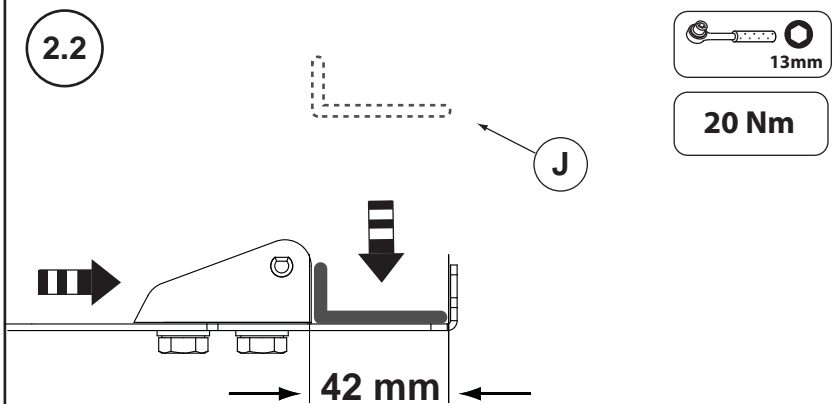


Tonneau Cover Installation Instructions

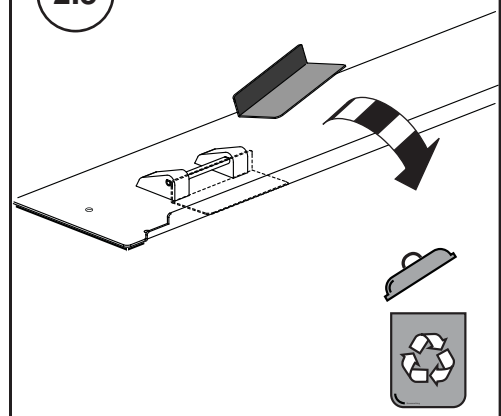
2.1



2.2



2.3





Tonneau Cover Installation Instructions

3.1

13mm

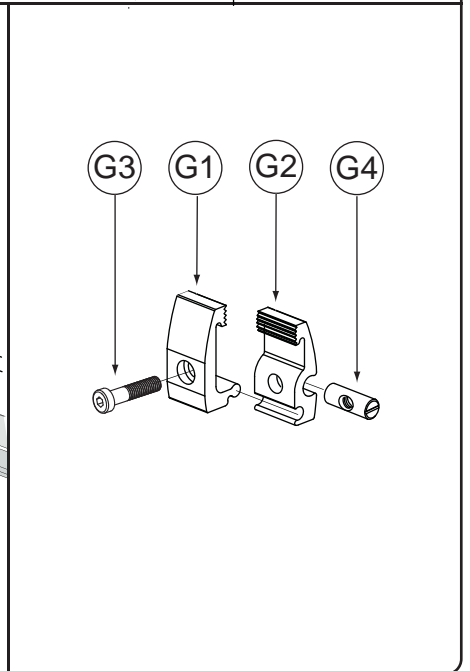
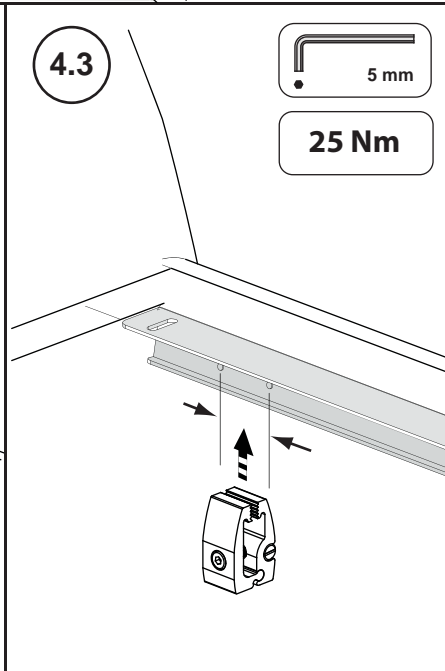
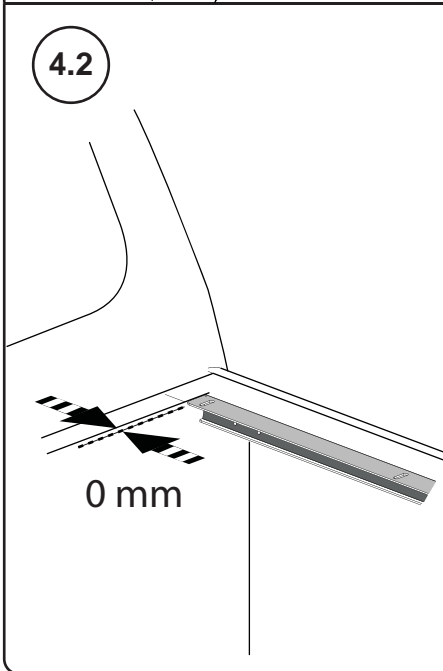
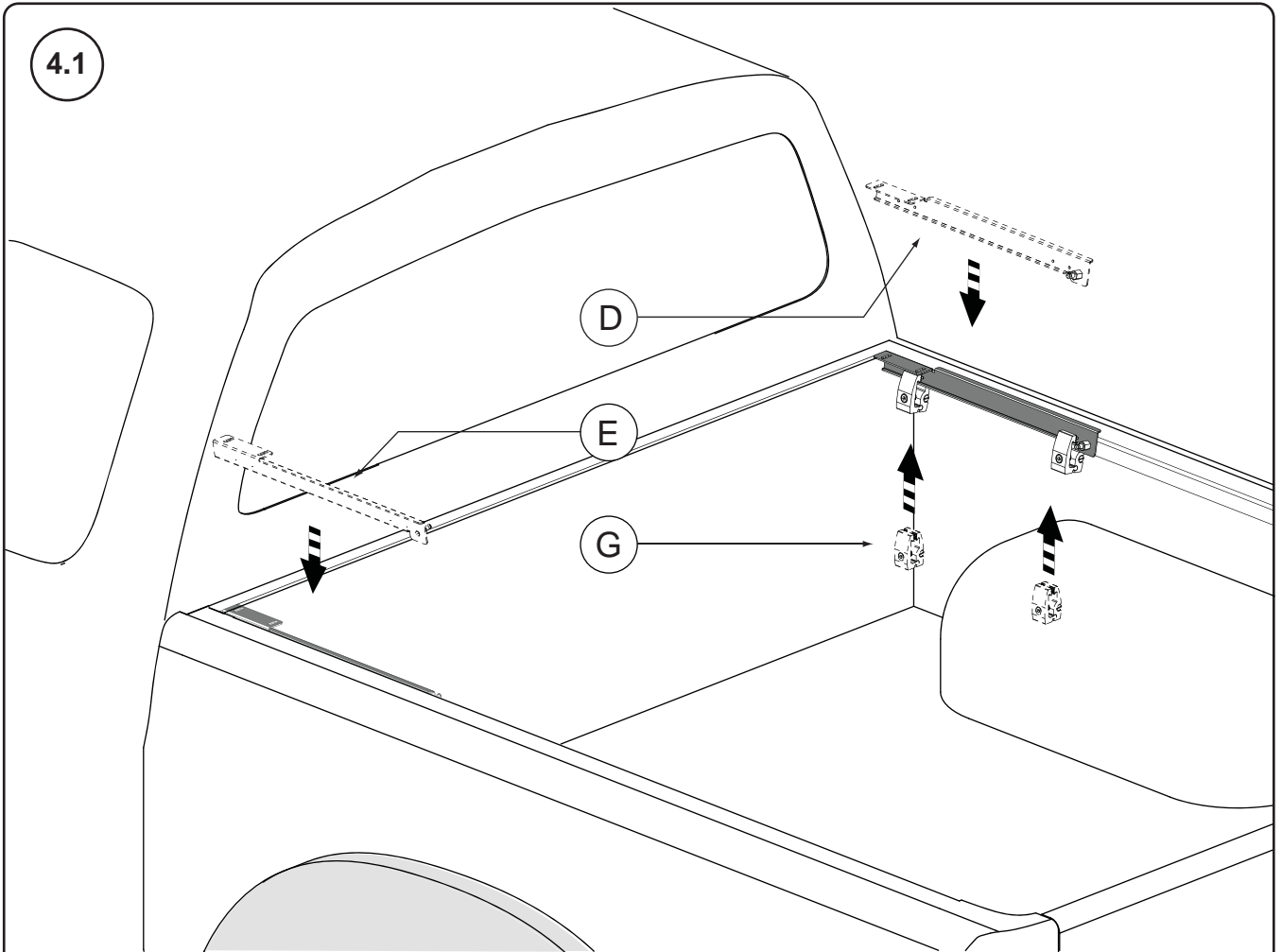
23 Nm

3.2

3.3

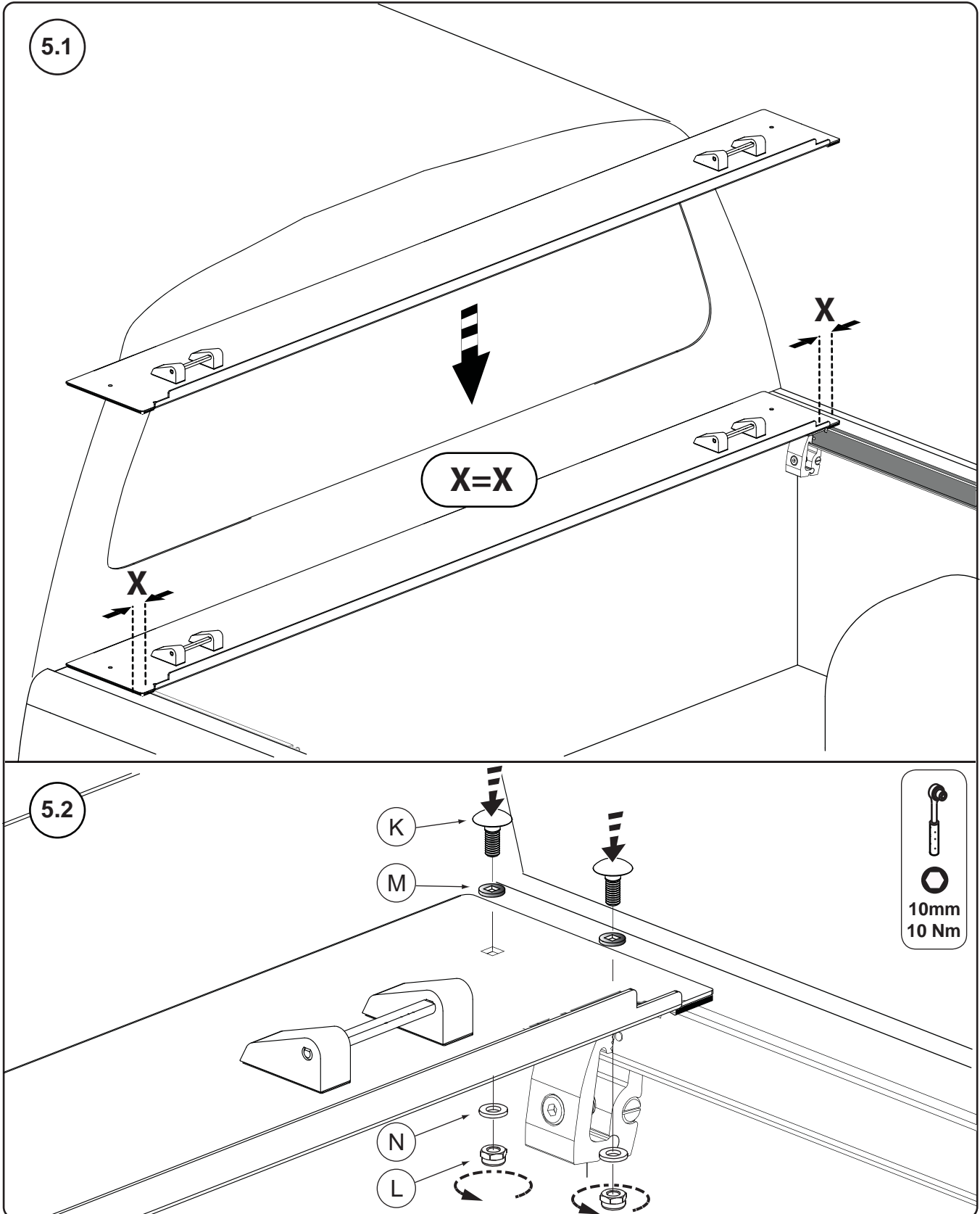


Tonneau Cover Installation Instructions





Tonneau Cover Installation Instructions

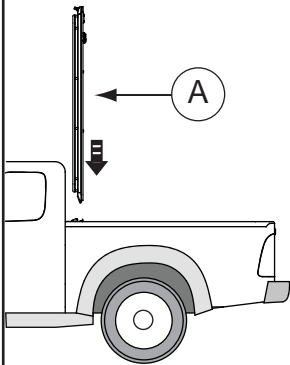
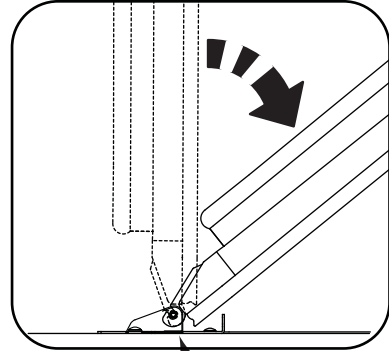
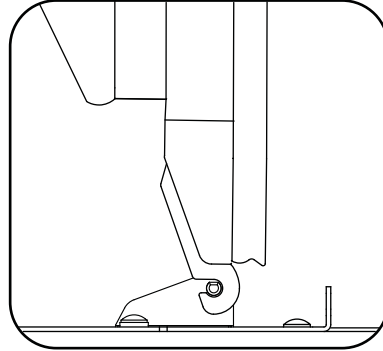
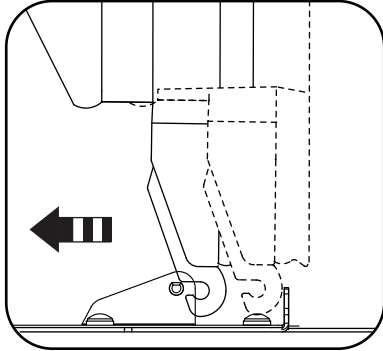


MTI-number 882 065	Issue 02	Date 16-04-2012	MT FO 90/1/2 A	Page 9/13
Pedersholmparken 10	3600 Frederikssund	Denmark ph: +45 4810 2950	Fax +45 4810 2960	www.mountaintop.dk

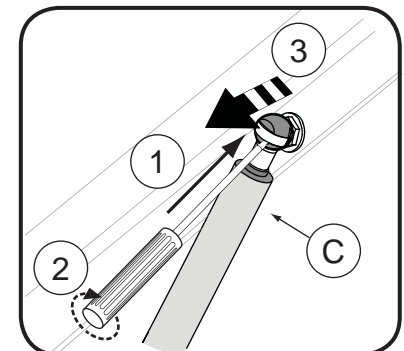
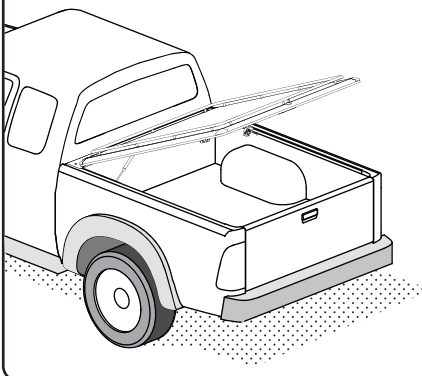
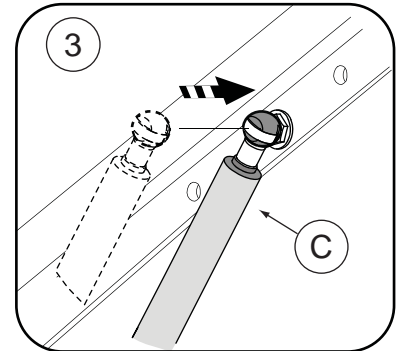
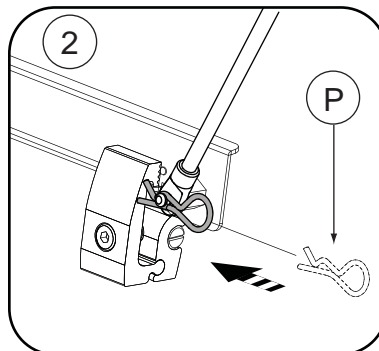
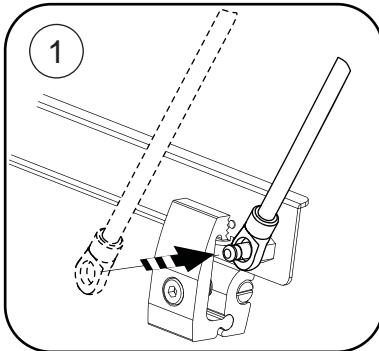


Tonneau Cover Installation Instructions

6.1



6.2



MTI-number 882 065	Issue 02	Date 16-04-2012	MT FO 90/1/2 A	Page 10/13
Pedersholmparken 10	3600 Frederikssund	Denmark ph: +45 4810 2950	Fax +45 4810 2960	www.mountaintop.dk



Tonneau Cover Installation Instructions

7.1

7.2

7.3

7.4

5 mm

25 Nm

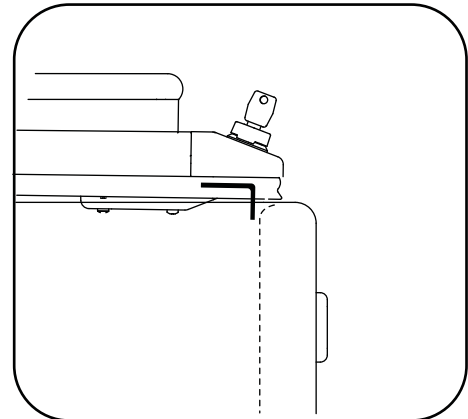
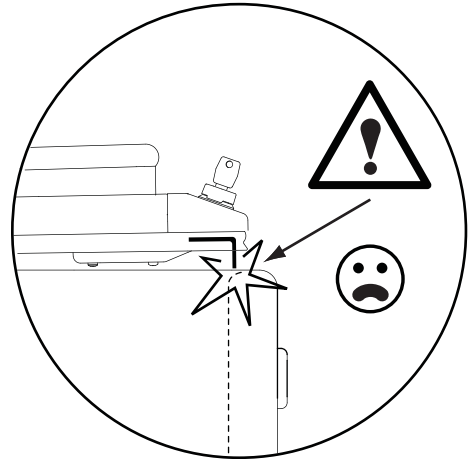
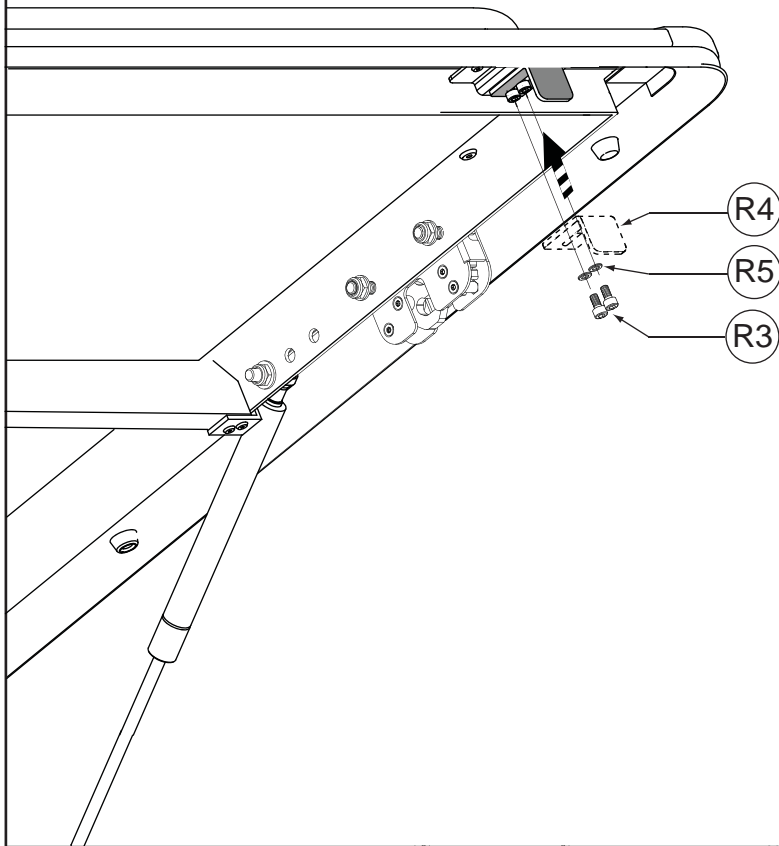
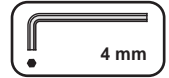
7.5

10mm

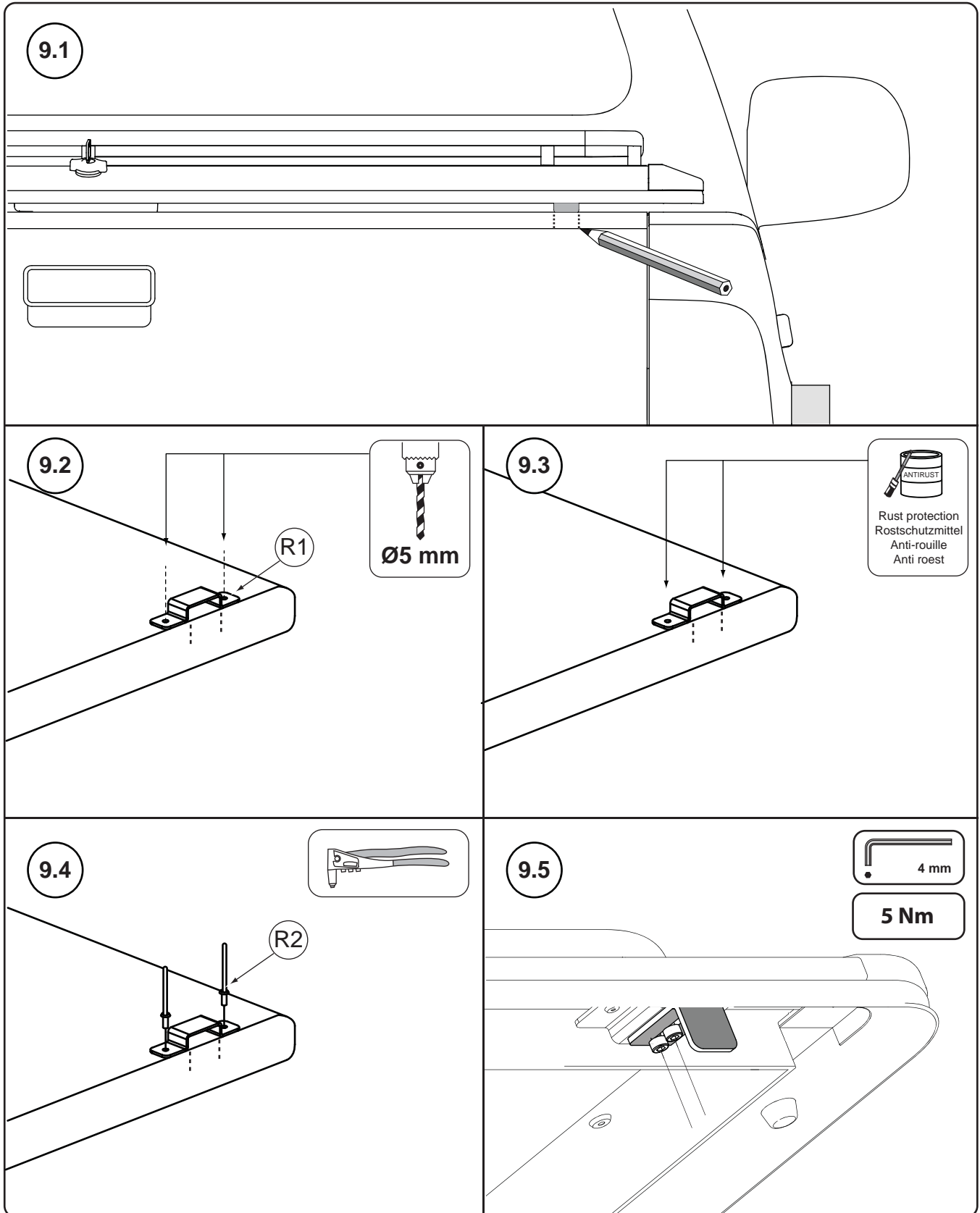
10Nm



8.1



MTI-number 882 065	Issue 02	Date 16-04-2012	MT FO 90/1/2 A	Page 12/13	
Pedersholmparken 10	3600 Frederikssund	Denmark	ph: +45 4810 2950	Fax +45 4810 2960	www.mountaintop.dk



MTI-number 882 065	Issue 02	Date 16-04-2012	MT FO 90/1/2 A	Page 13/13
Pedersholmparken 10	3600 Frederikssund	Denmark	ph: +45 4810 2950 Fax +45 4810 2960	www.mountaintop.dk