

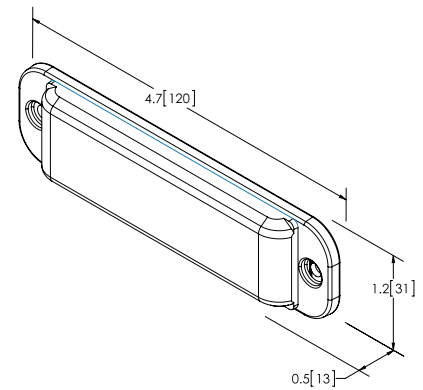


DIRECTIONAL LEDS



ED3701 Series SAE Class I Single- or Split-Color Surface Mount

ED3701 directional LEDs are bright and versatile warning lights that are suited to a wide variety of applications. Their ultra-low profile makes them easy to install virtually anywhere on a vehicle. Offering wide angle optics and multiple flash patterns, including synchronization with other units for simultaneous or alternating operation. ED3701 models feature 6 LEDs and are available in either single color or split-color configurations (3 LEDs of each color).



Models

PART NO.	COLOR(s)	VDC	AMPS	COLOR CONFIGURATION
ED3701A	Amber	12-24	0.8	Solid
ED3701B	Blue	12-24	0.8	Solid
ED3701C	Clear	12-24	0.8	Solid
ED3701G	Green	12-24	0.8	Solid
ED3701R	Red	12-24	0.8	Solid
ED3701AB	Amber/Blue	12-24	0.8	Split
ED3701AC	Amber/Clear	12-24	0.8	Split
ED3701AG	Amber/Green	12-24	0.8	Split
ED3701AR	Amber/Red	12-24	0.8	Split
ED3701BC	Blue/Clear	12-24	0.8	Split
ED3701RB	Red/Blue	12-24	0.8	Split
ED3701RC	Red/Clear	12-24	0.8	Split

Accessories

- Black Bezel (3702-BKBZ)
- Chrome Bezel (3702-CHBZ)



Flash Patterns (13)

- Single
- Fast Single
- Double
- Fast Double
- Quad (default)
- Fast Quad
- Triple
- Quint
- Steady - Single
- Steady Burn
- Modulation
- 2 Double, 2 Triple, Alt
- 4 Single, 2 Quad, Alt

Features and Benefits

- High-intensity LEDs provide exceptional warning
- 13 flash patterns
- Ultra low-profile surface mount
- Synchronizable
- Die cast base with polycarbonate lens
- Temperature Range: -22°F to +122°F (-30°C to +50°C)